

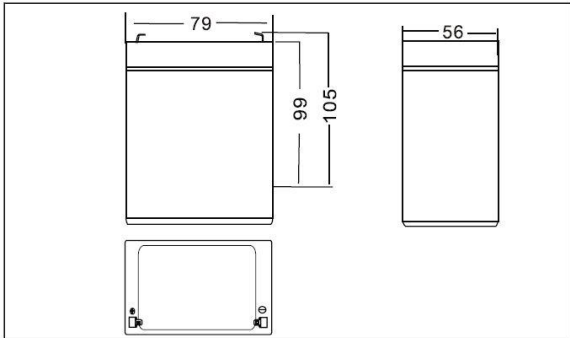
Datasheet LA120029 (12V2,9Ah) Pb battery



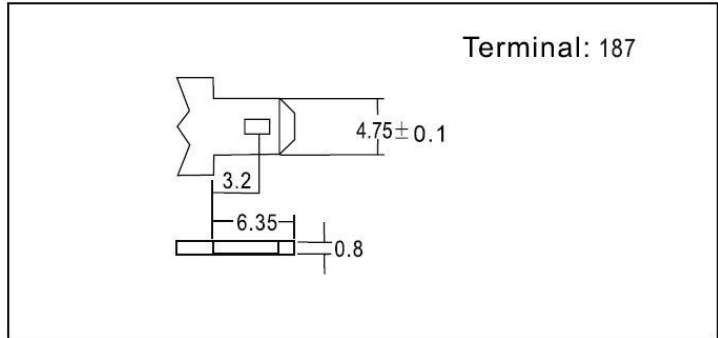
| Specifications | | |
|---------------------------------------|---------------------|-------|
| Nominal voltage: | 12V | |
| Rated capacity (20 hour rate): | 2,9Ah | |
| Dimensions | Total Height | 105mm |
| | Height | 99mm |
| | Length | 79mm |
| | Width | 56mm |
| Weight approx.: | 1,05kg \pm 5% | |

| Characteristics | | |
|--|------------------------------------|--|
| Capacity 25°C (77°F) | 20 hour rate (0,145A) | 2,90Ah |
| | 10 hour rate (0,27A) | 2,70Ah |
| | 5 hour rate (0,50A) | 2,50Ah |
| | 1 hour rate (1,88A) | 1,88Ah |
| Internal Resistance | Full charge Battery at 25°C (77°F) | 42mΩ |
| Capacity affected by temperature (20 hour rate) | 40°C (104°F) | 102% |
| | 25°C (77°F) | 100% |
| | 0°C (32°F) | 85% |
| | -15° (5°F) | 65% |
| Self-Discharge at 25°C (77°F) | Capacity after 3 month storage | 91% |
| | Capacity after 6 month storage | 82% |
| | Capacity after 12 month storage | 64% |
| Charge (constant voltage) | Cycle | Initial Charging Current less than 0,39A Voltage 14,50 - 14,90V |
| | Float | Voltage 13,50 - 13,80V |

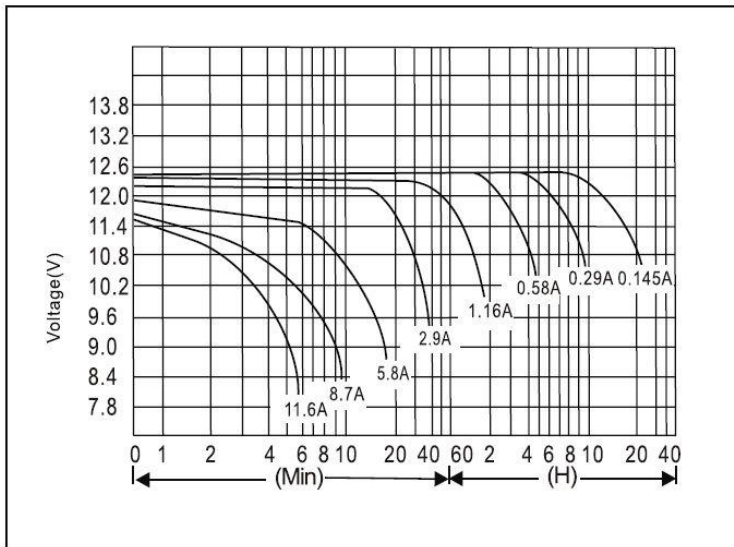
Outer Dimensions (mm)



Terminal Type (mm)



Discharge Curves 25°C (77°F)



Constant Current (AMP) and Constant Power (Watt) Discharge Table at 25°C (77°F)

| Time | | 5min | 10min | 15min | 30min | 1h | 2h | 3h | 4h | 5h | 10h | 20h |
|--------|---|------|-------|-------|-------|------|------|------|------|------|------|-------|
| 9.60V | A | 11.0 | 6.96 | 5.51 | 3.07 | 1.89 | 1.03 | 0.74 | 0.59 | 0.50 | 0.27 | 0.147 |
| | W | 123 | 78.5 | 62.8 | 35.2 | 21.8 | 12.1 | 8.79 | 7.05 | 6.00 | 3.28 | 1.77 |
| 9.90V | A | 10.7 | 6.75 | 5.38 | 3.01 | 1.86 | 1.02 | 0.74 | 0.59 | 0.50 | 0.27 | 0.147 |
| | W | 119 | 76.2 | 61.3 | 34.5 | 21.5 | 12.0 | 8.73 | 7.00 | 5.97 | 3.27 | 1.76 |
| 10.20V | A | 10.2 | 6.47 | 5.18 | 2.92 | 1.81 | 1.02 | 0.73 | 0.58 | 0.50 | 0.27 | 0.146 |
| | W | 114 | 73.0 | 59.0 | 33.5 | 21.0 | 11.9 | 8.67 | 6.96 | 5.93 | 3.26 | 1.75 |
| 10.50V | A | 9.81 | 6.19 | 5.00 | 2.85 | 1.77 | 1.00 | 0.73 | 0.58 | 0.49 | 0.27 | 0.145 |
| | W | 109 | 69.9 | 57.0 | 20.5 | 20.5 | 11.7 | 8.61 | 6.91 | 5.89 | 3.24 | 1.74 |
| 10.80V | A | 9.26 | 5.85 | 4.74 | 2.75 | 1.72 | 0.97 | 0.70 | 0.56 | 0.48 | 0.26 | 0.142 |
| | W | 103 | 65.9 | 54.0 | 31.5 | 19.9 | 11.4 | 8.35 | 6.70 | 5.71 | 3.17 | 1.71 |