

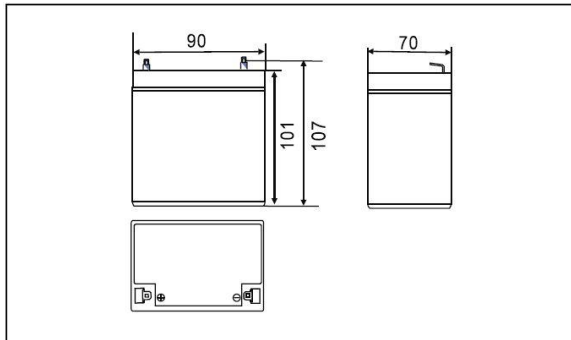
Datasheet LA120050 (12V5Ah) Pb battery



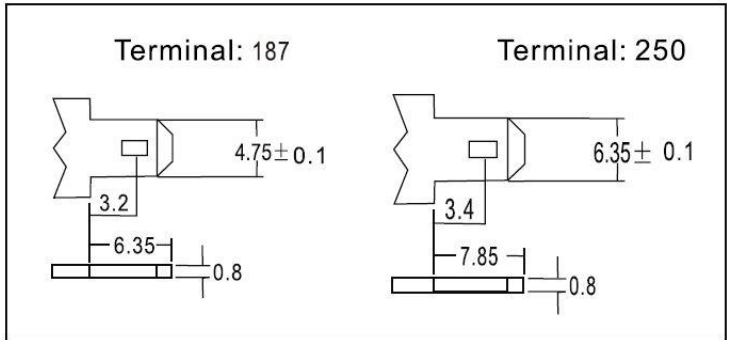
Specifications		
Nominal voltage:	12V	
Rated capacity (20 hour rate):	5Ah	
Dimensions	Total Height	107mm
	Height	101mm
	Length	90mm
	Width	70mm
Weight approx.:	1,51kg ±5%	

Characteristics		
Capacity 25°C (77°F)	20 hour rate (0,25A)	5,00Ah
	10 hour rate (0,45A)	4,50Ah
	5 hour rate (0,80A)	4,00Ah
	1 hour rate (3,00A)	3,00Ah
Internal Resistance	Full charge Battery at 25°C (77°F)	26mΩ
Capacity affected by temperature (20 hour rate)	40°C (104°F)	102%
	25°C (77°F)	100%
	0°C (32°F)	85%
	-15° (5°F)	65%
Self-Discharge at 25°C (77°F)	Capacity after 3 month storage	91%
	Capacity after 6 month storage	82%
	Capacity after 12 month storage	64%
Charge (constant voltage)	Cycle	Initial Charging Current less than 1,5A Voltage 14,50 - 14,90V
	Float	Voltage 13,50 - 13,80V

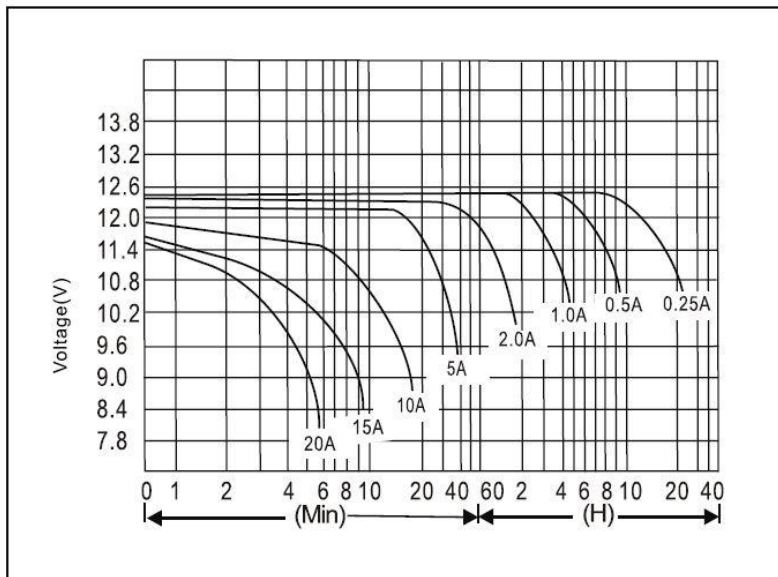
Outer Dimensions (mm)



Terminal Type (mm)



Discharge Curves 25°C (77°F)



Constant Current (AMP) and Constant Power (Watt) Discharge Table at 25°C (77°F)

Time		5min	10min	15min	30min	1h	2h	3h	4h	5h	10h	20h
9.60V	A	19.0	12.0	9.50	5.30	3.25	1.78	1.28	1.02	0.87	0.47	0.25
	W	212	135	108	60.7	37.6	20.8	15.1	12.1	10.4	5.66	3.05
9.90V	A	18.4	11.6	9.27	5.19	3.20	1.77	1.27	1.01	0.86	0.47	0.25
	W	206	131	106	59.5	37.1	20.7	15.1	12.1	10.3	5.64	3.03
10.20V	A	17.7	11.2	8.93	5.04	3.12	1.75	1.26	1.01	0.86	0.47	0.25
	W	197	126	102	57.7	36.1	20.5	15.0	12.0	10.2	5.61	3.02
10.50V	A	16.9	10.7	8.63	4.91	3.06	1.72	1.25	1.00	0.85	0.47	0.25
	W	189	120	98.3	56.3	35.4	20.2	14.9	11.9	10.1	5.58	3.00
10.80V	A	16.0	10.1	8.17	4.73	2.96	1.68	1.21	0.97	0.82	0.46	0.25
	W	178	114	93.1	54.2	34.3	19.7	14.4	11.6	9.84	5.47	2.94