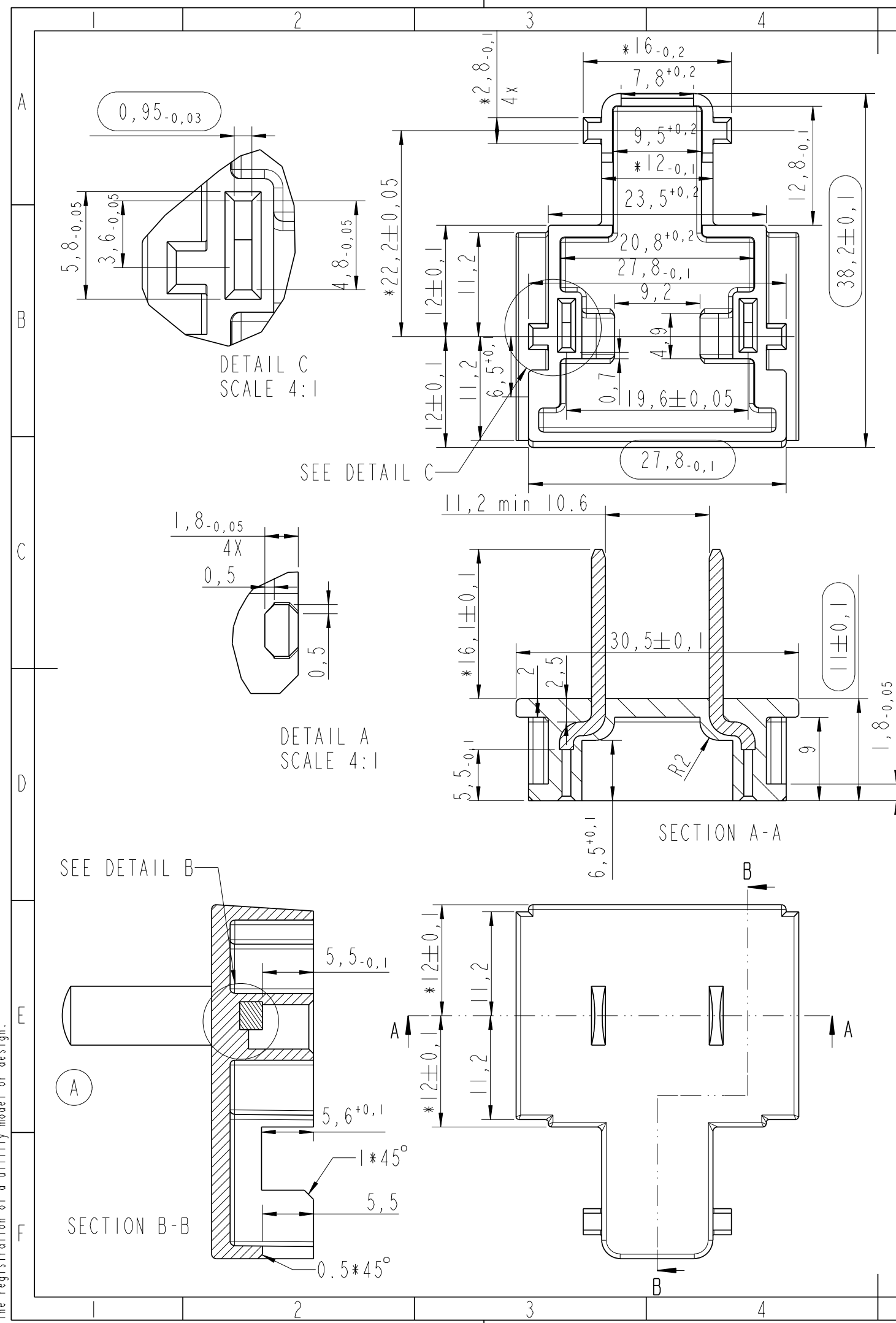
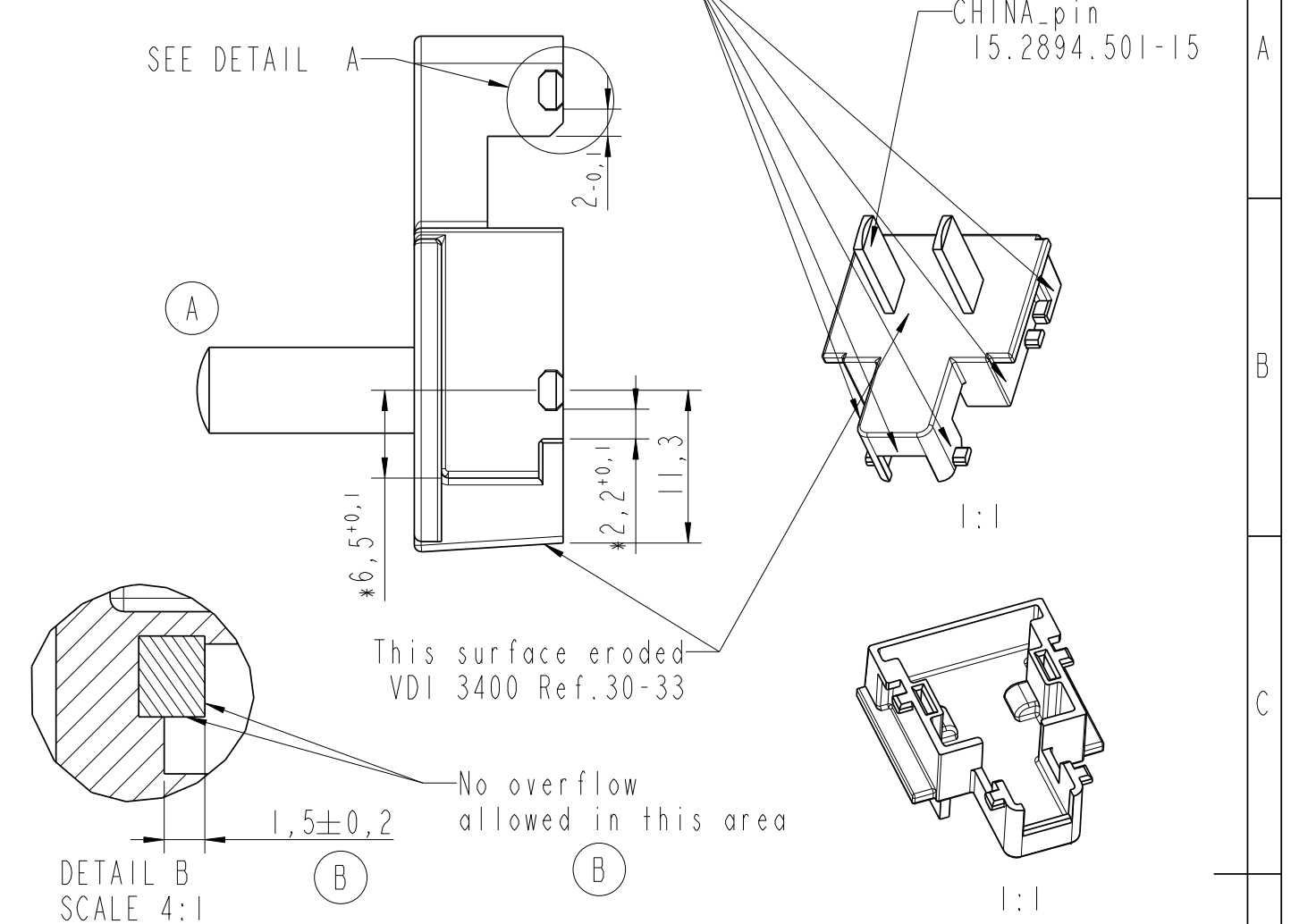


Copying of this document, and giving it to others and the use or communication of the contents thereof, are forbidden without express authority. Offenders are liable to the payment of damages. All rights are reserved in the event of the grant of a patent or the registration of a utility model or design.



this surface eroded VDI 3400 Ref. 21-24



- This drawing is valid together with 3D-data set 152894_501_XX
- For design and missing dimensioning is the 3D-data to use.
- With mark C dimensions are Function-, control- measurements
- Visible surface eroded to VDI 3400 Ref. 21-24
- undimensioned radius 0.5 mm, Not dimensioned draft angle 3°+30'
- Outside draft angle 2°, inner draft angle 0.5°
- All the surface and edges must be free of flash and marks.
- Raised or depressed ejection marks are not permissible.
- Placement of the injection point not on visible surfaces.
- Identification sign and marking sign according to specification LV 1.4601.100-213
- Pull off test according to UL 1310, each pin direct pull of 89 N for 2 min
- Part volue 3.362 cm ^3 (without the metal pin)
- With mark "*" dimension are important

15.2894.501-177	1830164	PC/ABS	Bayer bayblend KU2-1514	Black 901510
Drawing No.	Part No.	Plastic Type	Plastic Name, Number, Manufacturer	Colour / Colour Code
		General Tolerance DIN 16901-130 B	Scale 2:1	Filename: 152894_501_XX
		2007 Date	Name	(Material)
		Author Nov 12	Stone	Tool designed for:
		Appr.		(Description)
		Archiving No.		CHINA PLUG FOR GPP
C	MR2012-1-1748	09.21	heven	(Drawing No.)
B	MR2012-1-1086	02.06	Stone	15.2894.501-xx
A	MR2011-1-1999	10.31	Stone	Sheet 1
Ver.	Change Note	Date	Name	sub. for:

FRIWO