



12V50Ah

Multi-application LiFePO4 Power

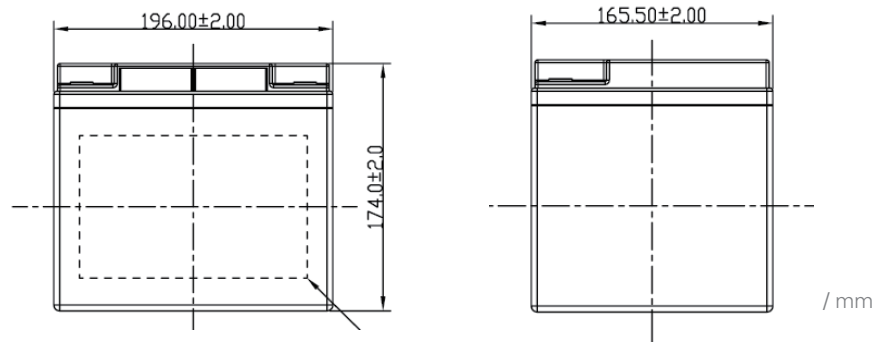
Features & Dimension

Bluetooth



- Support Bluetooth (optional extended function)
- Quick recharge
- High consistency
- No memory effect
- Low self-discharge
- High rate discharge
- Super long cycle life
- Environment-friendly
- Low internal resistance
- Replace lead-acid battery

AWILCO smart battery APP version 1.0 on Android and IOS, run with Bluetooth to get the working specification of the battery easily.



Specification

Model	LFP12050B
Nominal voltage	12.8V
Typical capacity	50Ah
Internal impedance	≤30mΩ
Max charge voltage	14.6±0.1V
Cut-off discharge voltage	≤10V
Max continuous charge current	30A
BMS / PCM	50A
Pulse discharge current (2s)	150A
Terminal Type	M6
Battery Case Type	ABS
Work Temperature	-20°C ~ 55°C
Weight (approx.)	6.50Kg
Dimension (approx.)	196 x 165 x 174mm
Support Bluetooth or not	Yes