



## EC DECLARATION OF CONFORMITY

### WE:

POLAR TOOLS A/S  
Soldalen 9, DK-7100 Vejle, Denmark

Declare in sole responsibility that the equipment

**EQUIPMENT:** ORBITAL SANDER

**MODEL/SERIAL NO.:** 6115-0125

to which this declaration applies, complies with these normative documents:

**MACHINERY DIRECTIVE:** 2006/42/EC

and conforms to the following EN standards,

EN ISO 12100:2010  
EN ISO 11148-6:2010

Authorized representative established within the EU (if applicable):

Company Name: Polar Tools A/S

Company Address: Soldalen 9, DK-7100 Vejle, Denmark

Person responsible for compiling the technical file established within the EU:

Name, Surname: Mikael Linde

Address: Jens Grøns Vej 1, DK-7100 Vejle, Denmark

Note: This declaration becomes invalid, if technical or operational modifications are introduced without the manufacturers consent.

Name and Signature/Position Title

Date and place

Mikael Linde, Owner

Denmark, January 10, 2013



Read the operator's instructions before operating the tool.



Wear eye protection device.



Wear ear protection device.

## OPERATING INSTRUCTIONS



### IMPORTANT

Read these instructions carefully before installing, operating, servicing or repairing this tool. Keep these instructions in a safe accessible place.

### MANUFACTURER/SUPPLIER

Polar Tools A/S  
Soldalen 9 · DK-7100 Vejle · Denmark  
Tel: +45 7584 1122  
E-mail: info@polartools.com · www.polartools.com

**PRODUCT TYPE**  
5" ORBITAL SANDER

**MODEL**  
6115-0125



Actual product may be slightly different from the product described here in.

## SAFETY RULES

Read, understand and keep these instructions!



### WARNING

Failure to follow all instructions listed below may result in serious injury.

### WORK AREA HAZARD & PERSONAL SAFETY

1. Keep your work area clean and well lit.
2. Do not operate power tools in explosive atmospheres, such as in the presence of combustible liquid, gases or dust. Power tools create sparks which may ignite the dust or fumes.
3. Disconnect tool before performing service or when not in use.
4. High sound levels can cause permanent hearing loss. Use hearing protection during operation.
5. Maintain a balanced body position and secure footing.
6. Slips/Trips/Falls are a major cause of serious injury or death. Be aware of excess hose left on the working floor.
7. Repetitive work motions, awkward positions and exposure to vibration can be harmful to hands and arms. If numbness, tingling, pain or whitening of the skin occurs, stop using the tool and consult a physician.

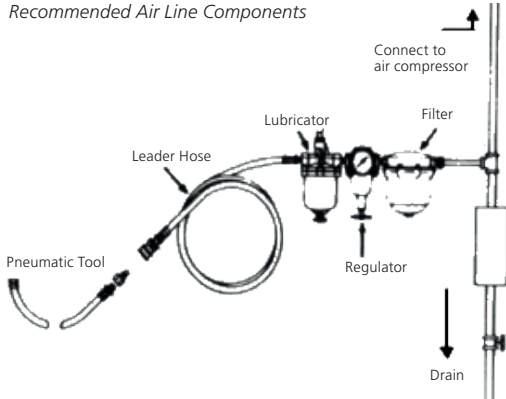
8. Always wear impact-resistant eye and face protection when operating, repairing or performing maintenance of the tool or while changing tool accessories.

### TOOL USE AND CARE

1. Use support handle or other method to secure and support the work piece to a stable platform.
2. Do not force the tool. Use the correct tool for your application. Using the correct tool which is specifically designed for a select job will provide better tool performance and make the job easier.
3. Disconnect the air supply before making any adjustments, changing accessories, or storing the tool. Always disconnect the air supply before performing any inspection, maintenance or tool cleaning.
4. Use only accessories recommended by the manufacturer for your model.
5. When using a tool that is designed to have a guard, the guard should be in place to provide protection from flying debris, grinding residue or sparks.
6. Do not leave the tool unattended when it is connected to an air supply.
7. Use compressed air only.

## AIR SUPPLY SETUP AND CONNECTION

### Recommended Air Line Components



1. For optimal results you should incorporate a regulator, oiler and an inline filter.
2. If you are not using an automatic lubricating system, before operating the tool, add a few drops of Pneumatic Tool Oil to the air-line connection. Add more after each hour of constant using.
3. Do not exceed maximum air pressure of 90 PSI/ 6,2 bar or as stated on tool nameplate.

## OPERATING INSTRUCTIONS

ONLY use recommended sizes and types of abrasives. Ensure that self-fixing sanding discs are mounted concentrically. Never mount a grinding wheel on a sander. A grinding wheel that bursts can cause very serious injury or death when not properly guarded. Check the position of the reversing mechanism before operating the tool so as to be aware of the direction of rotation when operating. Inspect sanding pad before each use. Do not use if cracked or damaged. Avoid direct contact with moving sanding pad to prevent pinching or cutting of hands or other body parts. Wear gloves to protect hands.

## LUBRICATION & MAINTENANCE

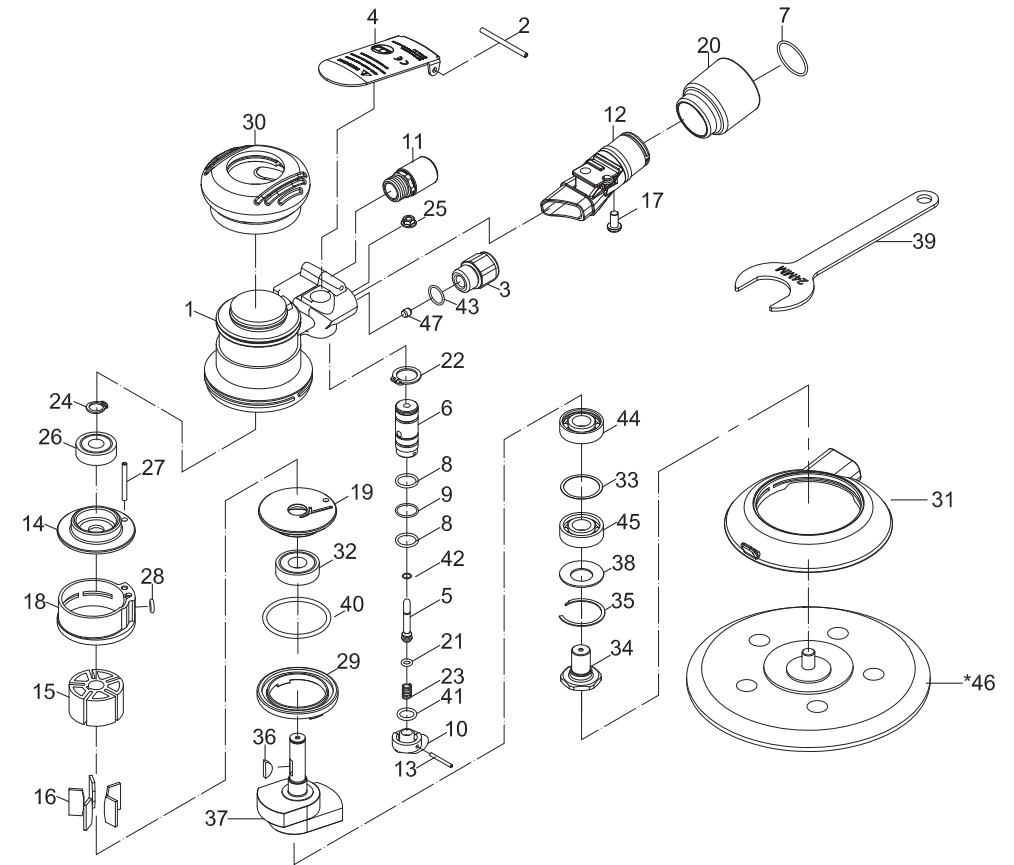
Lubricate the tool daily with a high grade of air tool oil. If no air line oiler is used, run a teaspoon of oil through the tool. The oil can be squirted into the tool air inlet, or into the hose at the nearest connection to the air supply, prior to operating the tool. A rust inhibitive oil is acceptable for air tools.

## PARTS NO.

PARTS NO.	DESCRIPTION
P6115-0150-01	Housing
P6115-0150-02	Spring Pin (3 x 40L)
P6115-0150-03	Air Inlet
P6115-0150-04	Throttle Lever
P6115-0150-05	Shaft
P6115-0150-06	Bushing
P6115-0150-07	O-Ring (21,5 x 1,5) ●
P6115-0150-08	O-Ring (10,7 x 1,5) ●
P6115-0150-09	O-Ring (10,5 x 1) ●
P6115-0150-10	Regulator
P6115-0150-11	Silencer
P6115-0150-12	Adapter
P6115-0150-13	Spring Pin (2 x 18L)
P6115-0150-14	Rear End Plate
P6115-0150-15	Rotor
P6115-0150-16	Rotor Blade (5) ●
P6115-0150-17	Screw (M5 x 10)
P6115-0150-18	Cylinder
P6115-0150-19	Front End Plate
P6115-0150-20	Swivel Exhaust
P6115-0150-21	O-Ring (3,68 x 1,78) ●
P6115-0150-22	Retaining Ring (STW-14) ●
P6115-0150-23	Spring
P6115-0150-24	Retainer Ring
P6115-0150-25	Nut (M5 x 0,8)
P6115-0150-26	Ball Bearing (6000ZZ) ○
P6115-0150-27	Spring Pin (3 x 28)
P6115-0150-28	O-Ring (5 x 2)
P6115-0150-29	Lock Ring
P6115-0150-30	Grip Hat
P6115-0150-31	Shroud
P6115-0150-32	Ball Bearing (6001ZZ) ○
P6115-0150-33	Washer
P6115-0150-34	Shaft
P6115-0150-35	Snap Ring
P6115-0150-36	Key
P6115-0150-37	Balancer Shaft ○
P6115-0150-38	Washer (3 x 13)
P6115-0150-39	Spanner
P6115-0150-40	O-Ring (39,4 x 3,1) ●
P6115-0150-41	O-Ring (8,8 x 1,7) ●
P6115-0150-42	O-Ring (2 x 1) ●
P6115-0150-43	O-Ring (13,5 x 1,5) ●
P6115-0150-44	Ball Bearing (6001) ○
P6115-0150-45	Ball Bearing (6001P) ○
P6115-0125-46*	Pad 5" (6 holes)
P6115-0125-46A*	Pad 5" (8 holes)
P6115-0150-47	Stopper
P6115-0150-50	● Service Kit
P6115-0150-51	○ Rebuilt Kit

\* Optional Parts

## 5" ORBITAL SANDER



## TECHNICAL SPECIFICATION

PRODUCT TYPE		MODEL: 6115-0125
Orbital Sander		
FREE SPEED 12.000 R/PM	AIR INLET: 1/4" NPT	AVERAGE AIR CONSUMPTION: 57 L/Min (2 CFM)
PAD SIZE: 5" (125 mm)	HOSE SIZE: 3/8" (10 mm)	WEIGHT: 0,7 Kg
ORBIT DIAMETER: 5 mm	AIR PRESSURE: 6,2 Bar (90 P.S.I.)	