



## EC DECLARATION OF CONFORMITY

### WE:

POLAR TOOLS A/S  
Soldalen 9, DK-7100 Vejle, Denmark

Declare in sole responsibility that the equipment

**EQUIPMENT:** ANGLE POLISHER

**MODEL/SERIAL NO.:** 6127-0175

to which this declaration applies, complies with these normative documents:

**MACHINERY DIRECTIVE:** 2006/42/EC

and conforms to the following EN standards,

EN ISO 12100:2010  
EN ISO 11148-6:2010

Authorized representative established within the EU(if applicable):

Company Name: Polar Tools A/S

Company Address: Soldalen 9, DK-7100 Vejle, Denmark

Person responsible for compiling the technical file established within the EU:

Name, Surname: Mikael Linde

Address: Jens Grøns Vej 1, DK-7100 Vejle, Denmark

Note: This declaration becomes invalid, if technical or operational modifications are introduced without the manufacturers consent.

Name and Signature/Position Title

Date and place

Mikael Linde, Owner

Denmark, January 10, 2013



Read the operator's instructions before operating the tool.



Wear eye protection device.



Wear ear protection device.

## OPERATING INSTRUCTIONS



### IMPORTANT

Read these instructions carefully before installing, operating, servicing or repairing this tool. Keep these instructions in a safe accessible place.

### MANUFACTURER/SUPPLIER

Polar Tools A/S  
Soldalen 9 · DK-7100 Vejle · Denmark  
Tel: +45 7584 1122  
E-mail: info@polartools.com · www.polartools.com

**PRODUCT TYPE**  
7" ANGLE POLISHER

**MODEL**  
6127-0175



Actual product may be slightly different from the product described here in.

## SAFETY RULES

Read, understand and keep these instructions!



### WARNING

Failure to follow all instructions listed below may result in serious injury.

### WORK AREA HAZARD & PERSONAL SAFETY

1. Keep your work area clean and well lit.
2. Do not operate power tools in explosive atmospheres, such as in the presence of combustible liquid, gases or dust. Power tools create sparks which may ignite the dust or fumes.
3. Disconnect tool before performing service or when not in use.
4. High sound levels can cause permanent hearing loss. Use hearing protection during operation.
5. Maintain a balanced body position and secure footing.
6. Slips/Trips/Falls are a major cause of serious injury or death. Be aware of excess hose left on the working floor.
7. Repetitive work motions, awkward positions and exposure to vibration can be harmful to hands and arms. If numbness, tingling, pain or whitening of the skin occurs, stop using the tool and consult a physician.

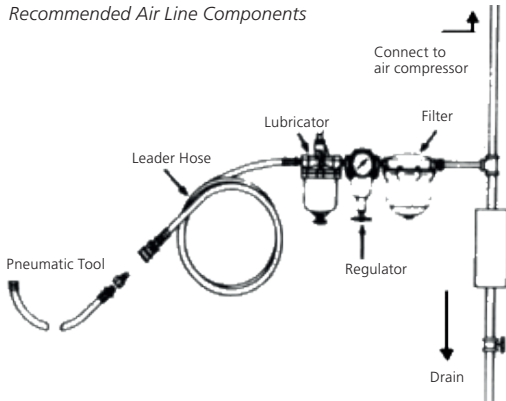
8. Always wear impact-resistant eye and face protection when operating, repairing or performing maintenance of the tool or while changing tool accessories.

### TOOL USE AND CARE

1. Use support handle or other method to secure and support the work piece to a stable platform.
2. Do not force the tool. Use the correct tool for your application. Using the correct tool which is specifically designed for a select job will provide better tool performance and make the job easier.
3. Disconnect the air supply before making any adjustments, changing accessories, or storing the tool. Always disconnect the air supply before performing any inspection, maintenance or tool cleaning.
4. Use only accessories recommended by the manufacturer for your model.
5. When using a tool that is designed to have a guard, the guard should be in place to provide protection from flying debris, grinding residue or sparks.
6. Do not leave the tool unattended when it is connected to an air supply.
7. Use compressed air only.

## AIR SUPPLY SETUP AND CONNECTION

### Recommended Air Line Components



1. For optimal results you should incorporate a regulator, oiler and an inline filter.
2. If you are not using an automatic lubricating system, before operating the tool, add a few drops of Pneumatic Tool Oil to the air-line connection. Add more after each hour of constant using.
3. Do not exceed maximum air pressure of 90 PSI/ 6,2 bar or as stated on tool nameplate.

## OPERATING INSTRUCTIONS

ONLY use recommended sizes and types of abrasives. Ensure that self-fixing sanding discs are mounted concentrically. Never mount a grinding wheel on a sander. A grinding wheel that bursts can cause very serious injury or death when not properly guarded. Check the position of the reversing mechanism before operating the tool so as to be aware of the direction of rotation when operating. Inspect sanding pad before each use. Do not use if cracked or damaged. Avoid direct contact with moving sanding pad to prevent pinching or cutting of hands or other body parts. Wear gloves to protect hands.

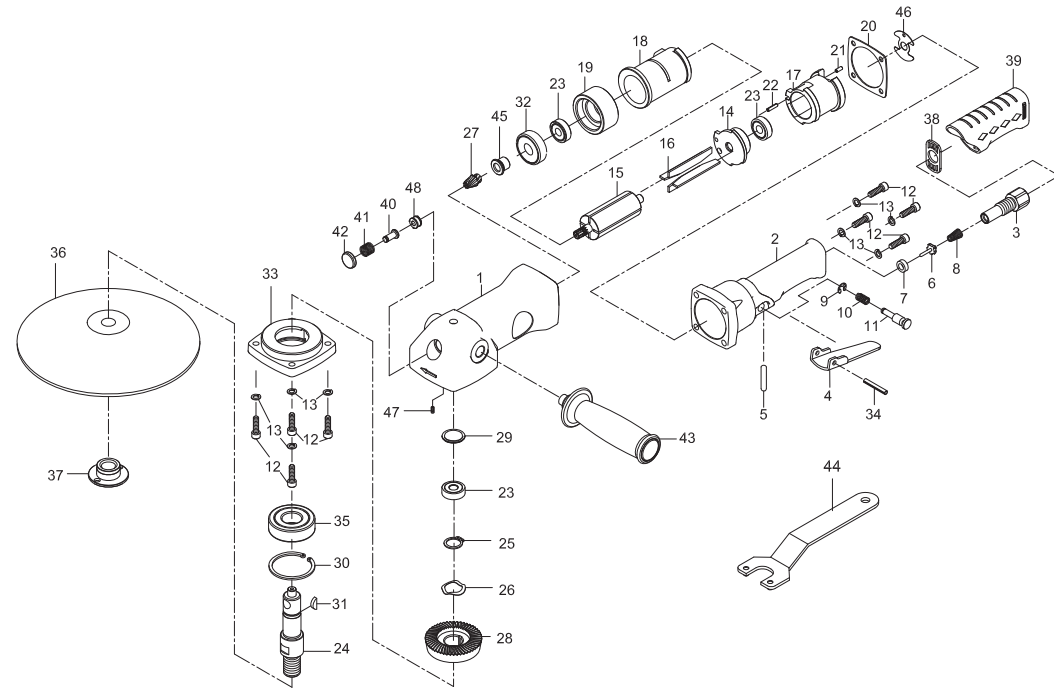
## LUBRICATION & MAINTENANCE

Lubricate the tool daily with a high grade of air tool oil. If no air line oiler is used, run a teaspoon of oil through the tool. The oil can be squirted into the tool air inlet, or into the hose at the nearest connection to the air supply, prior to operating the tool. A rust inhibitive oil is acceptable for air tools.

## PARTS NO.

PARTS NO.	DESCRIPTION
P6127-0175-01	Motor Housing
P6127-0175-02	Valve Housing
P6127-0175-03	Air Inlet
P6127-0175-04	Throttle Lever
P6127-0175-05	Valve Pin
P6127-0175-06	Valve
P6127-0175-07	Valve Seat
P6127-0175-08	Spring
P6127-0175-09	E-Ring (ETW-4) ●
P6127-0175-10	Spring ●
P6127-0175-11	Safe Lever
P6127-0175-12	Screw (8) (M5)
P6127-0175-13	Washer (8)
P6127-0175-14	End Plate
P6127-0175-15	Rotor
P6127-0175-16	Rotor Blade (4) ●
P6127-0175-17	Inlet Guide
P6127-0175-18	Cylinder
P6127-0175-19	Front End Plate
P6127-0175-20	Gasket ●
P6127-0175-21	Spring Pin (3 x 6L)
P6127-0175-22	Spring Pin (3 x 12L)
P6127-0175-23	Ball Bearing (3) (608ZZ) ○
P6127-0175-24	Spindle (5/8" - 11)
P6127-0175-25	Retaining Ring STW-16) ●
P6127-0175-26	Spring Washer (WW-16) ●
P6127-0175-27	Pinion Gear ○
P6127-0175-28	Bevel Gear ○
P6127-0175-29	Spacer
P6127-0175-30	Retaining Ring (RTW-40)
P6127-0175-31	Key (3x13)
P6127-0175-32	Ball Bearing (6201Z) ○
P6127-0175-33	Spindle Cap
P6127-0175-34	Spring Pin (4 x 25L)
P6127-0175-35	Ball Bearing (6203ZZ) ○
P6127-0175-36	Back Disc (5/8" - 11)
P6127-0175-37	Disc Nut (5/8" - 11)
P6127-0175-38	Exhaust Diffuser
P6127-0175-39	Rubber Grip
P6127-0175-40	Shaft
P6127-0175-41	Spring
P6127-0175-42	Press Button
P6127-0175-43	Handle
P6127-0175-44	Pin Wrench
P6127-0175-45	Bushing
P6127-0175-46	Motor Gasket
P6127-0175-47	Set Screw (M4 x 4L)
P6127-0175-48	Bushing
P6127-0175-50	● Service Kit
P6127-0175-51	○ Rebuilt Kit

## 7" ANGLE POLISHER



## TECHNICAL SPECIFICATION

PRODUCT TYPE		MODEL: 6127-0175
7" Angle Polisher		
FREE SPEED: 2.500 RPM	AIR INLET: 1/4" NPT	AVERAGE AIR CONSUMPTION: 91 L/Min (3.2 CFM)
PAD SIZE: 7" (175 mm)	HOSE SIZE: 3/8" (10 mm)	WEIGHT: 1,9 Kg
SPINDLE THREAD: 3/8" - 11 UNF	AIR PRESSURE: 6,2 Bar (90 P.S.I.)	