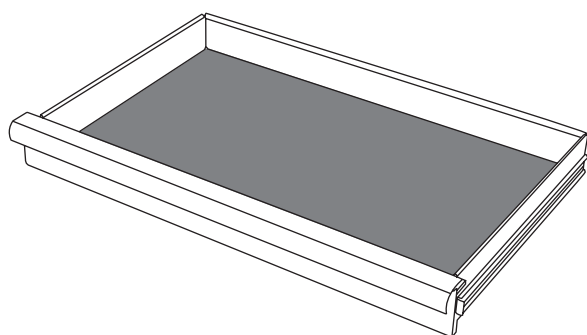


INSTALLATION INSTRUCTIONS

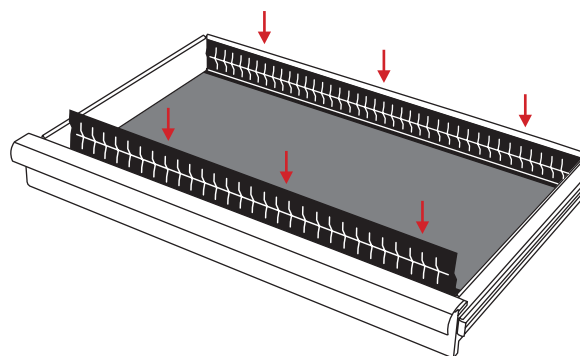
HOW TO INSERT DRAWER DIVIDERS TO **EASY AND X-LARGE**



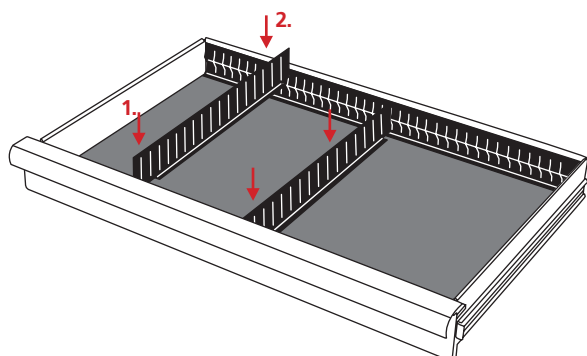
1. OPEN THE DRAWER 100% - MAKE SURE THE MAT LAYES PROPERLY



2. PLACE THE EXTERNAL DIVIDERS IN FRONT AND BACK OF THE DRAWER



3. PLACE THE VERTICAL DIVIDERS - START IN FRONT DUE TO HANDLE



4. PLACE THE HORIZONTAL DIVIDERS - 4 DIFFERENT SIZES

