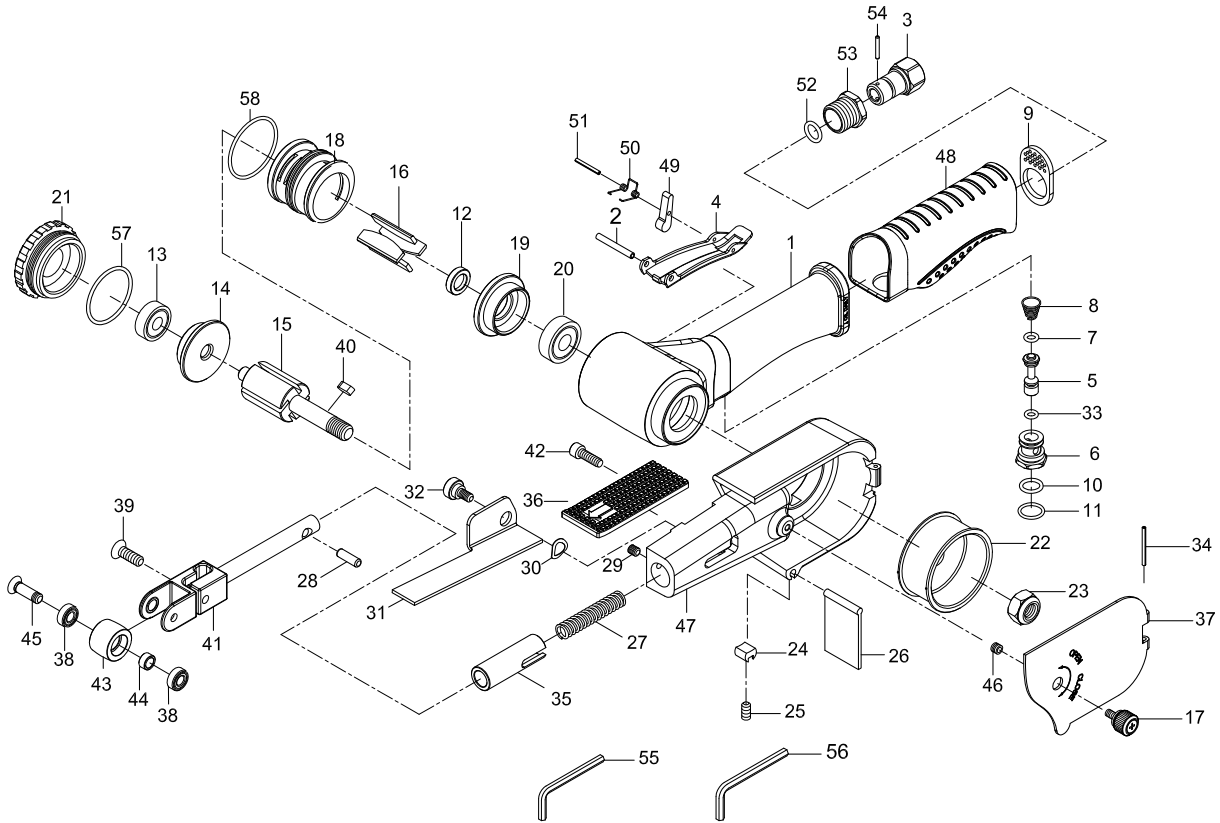




BELT SANDER 20 MM



PARTS NO.	DESCRIPTION	PARTS NO.	DESCRIPTION	PARTS NO.	DESCRIPTION
P6145-0020-01	Housing	P6145-0020-22	Drive Pulley	P6145-0020-43	Idle Pulley ◯
P6145-0020-02	Spring Pin (3 x 24L)	P6145-0020-23	Nut (M10)	P6145-0020-44	Spacer
P6145-0020-03	Air inlet	P6145-0020-24	Guard Body Luck	P6145-0020-45	Screw ◯
P6145-0020-04	Throttle Lever	P6145-0020-25	Screw (M5 x 10L)	P6145-0020-46	Screw Thread Inserts (#8-32UNC x 1D)
P6145-0020-05	Valve Stem	P6145-0020-26	Dust Cover ●	P6145-0020-47	Guard Body
P6145-0020-06	Valve	P6145-0020-27	Spring	P6145-0020-48	Grip
P6145-0020-07	O-Ring (4.8 x 1.9) ●	P6145-0020-28	Pin (5 x 14.8L)	P6145-0020-49	Safety Bar
P6145-0020-08	Spring	P6145-0020-29	Screw (M5 x 5L)	P6145-0020-50	Spring
P6145-0020-09	Exhaust Deflector ●	P6145-0020-30	Wave Washer (WW8)	P6145-0020-51	Spring Pin (2 x 16L)
P6145-0020-10	O-Ring (9.8 x 1.9)	P6145-0020-31	Flat Shoe	P6145-0020-52	O-Ring (9 x 2)
P6145-0020-11	O-Ring (12 x 1.6) ●	P6145-0020-32	Screw	P6145-0020-53	Screw
P6145-0020-12	Spacer	P6145-0020-33	O-Ring (4.47 x 1.78)	P6145-0020-54	Pin (2 x 14.8)
P6145-0020-13	Ball Bearing (608zz)	P6145-0020-34	Spring Pin (2 x 26L)	P6145-0020-55	Hex. Key Wrench (4 mm)
P6145-0020-14	Rear End Plate	P6145-0020-35	Bushing	P6145-0020-56	Hex Key Wrench (2.5 mm)
P6145-0020-15	Rotor	P6145-0020-36	Finger Pad	P6145-0020-57	Screw (33.5 x 2)
P6145-0020-16	Rotor Blade (4) ●	P6145-0020-37	Guard	P6145-0020-58	O-Ring (26.7 x 7.78)
P6145-0020-17	Screw	P6145-0020-38	Ball Bearing (2) - (686zz) ◯		
P6145-0020-18	Cylinder	P6145-0020-39	Screw (M6 x 18L) ◯		
P6145-0020-19	Front End Plate	P6145-0020-40	Key (4 x 4 x 10)		
P6145-0020-20	Ball Bearing (6000zz)	P6145-0020-41	Tension Bar ◯		
P6145-0020-21	Cap	P6145-0020-42	Screw (M5 x 16L)		
				P6145-0020-60	● Service Kit
				P6145-0020-61	◯ Rebuilt Kit

TECHNICAL SPECIFICATION

PRODUCT TYPE		MODEL: 6145-0020
Belt Sander		
FREE SPEED 18.000 RPM	HOSE SIZE: 3/8" (10 mm)	WEIGHT: 1,5 Kg
BELT SIZE: 3/4" x 20 1/2" (20 x 520 mm)	AIR PRESSURE: 6,2 Bar (90 P.S.I.)	LENGTH: 376 mm
AIR INLET: 1/4" NPT	AVERAGE AIR CONSUMPTION: 119 L/Min (4.2 CFM)	

