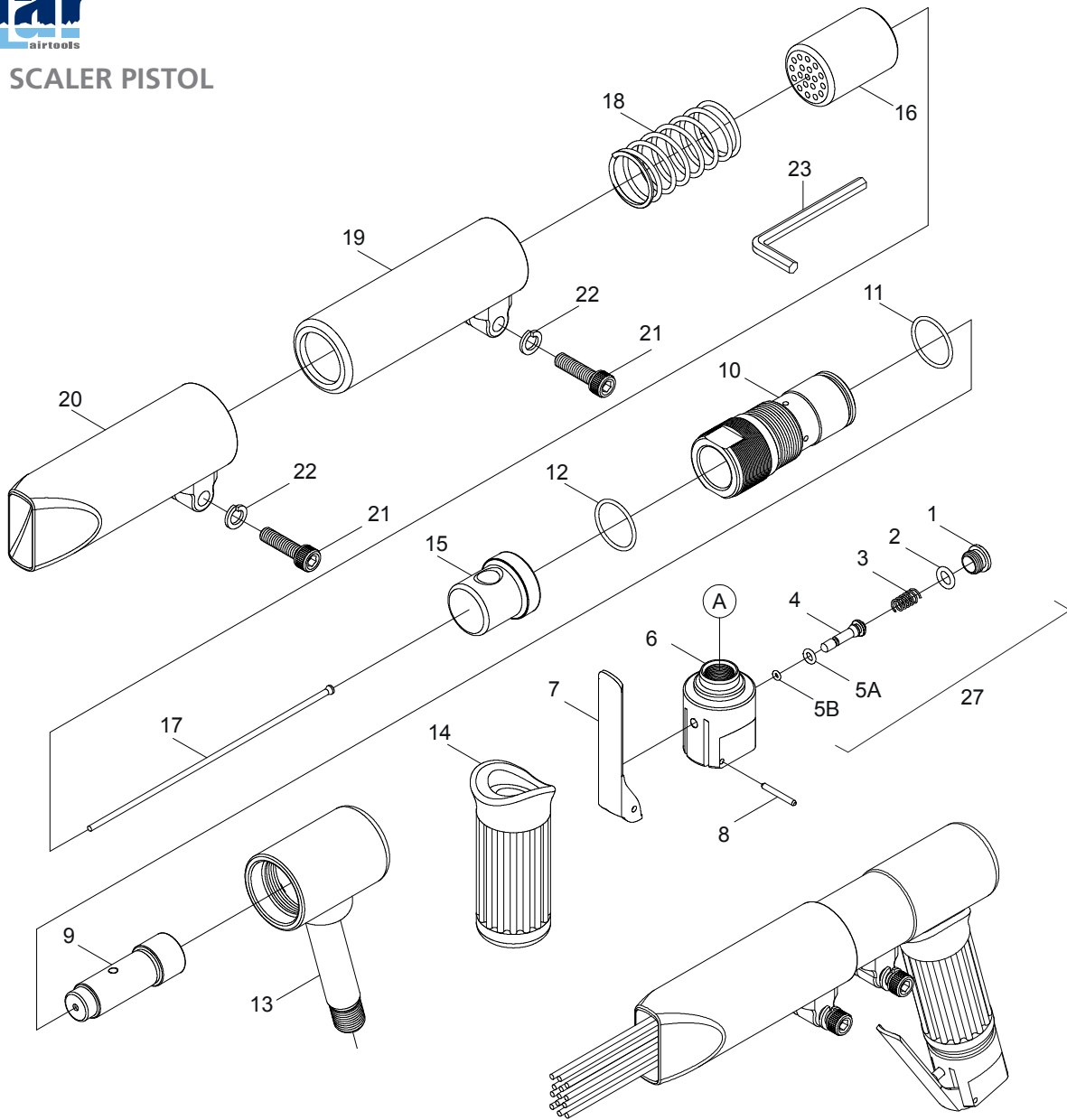




## NEEDLE SCALER PISTOL



PARTS NO.	DESCRIPTION				
P6137-0001-01	Valve Cap <input type="checkbox"/>	P6137-0001-09	Piston <input type="checkbox"/>	P6137-0001-18	Spring Compression <input type="checkbox"/>
P6137-0001-02	O-Ring (d 7,8 x w 2,4) (P8) <input type="checkbox"/>	P6137-0002-10	Cylinder	P6137-0001-19	Intermediate Tube
P6137-0001-03	Valve Spring <input type="checkbox"/>	P6137-0002-11	O-Ring (d 25,5 x w 2,0) <input type="checkbox"/>	P6137-0001-20	Front Tube
P6137-0001-04	Valve Stem <input type="checkbox"/>	P6137-0002-12	O-Ring (d 25,5 x w 2,0) <input type="checkbox"/>	P6137-0001-21	Cap Head Screw (5/16" x 1-1/8")
P6137-0001-05A	O-Ring (d 4,8 x w 1,9) (P5) <input type="checkbox"/>	P6137-0002-13	Handle Housing	P6137-0001-22	Washer (5/16")
P6137-0001-05B	O-Ring (d 2,5 x w 1,5) <input type="checkbox"/>	P6137-0001-14	Rubber Handle Grip	P6137-0001-23	Hex. Wrench (6 mm)
P6137-0002-06	Valve Body	P6137-0001-15	Anvil <input type="checkbox"/>	P6137-0002-25	<input type="checkbox"/> Service Kit
P6137-0001-07	Throttle Lever	P6137-0001-16	Needle Holder (3 mm) <input type="checkbox"/>	P6137-0002-26	<input type="checkbox"/> Rebuilt Kit
P6137-0001-08	Spring Pin (Ø3 x 24L)	P6137-0001-17	Needle Set (3 mm) (Ø3 x 180L)	P6137-0001-27	<input type="checkbox"/> Valve Kit

### TECHNICAL SPECIFICATION

PRODUCT TYPE		MODEL: 6137-0002
Needle Scaler Pistol		
BLOWS PER MIN.: 3.700 BPM	HOSE SIZE: 3/8" (10 mm)	WEIGHT: 2,7 Kg
NEEDLE DIA.: 3 mm	AIR PRESSURE: 6,2 Bar (90 P.S.I.)	
AIR INLET: 1/4" NPT	AVERAGE AIR CONSUMPTION: 85 L/Min (3 CFM)	

