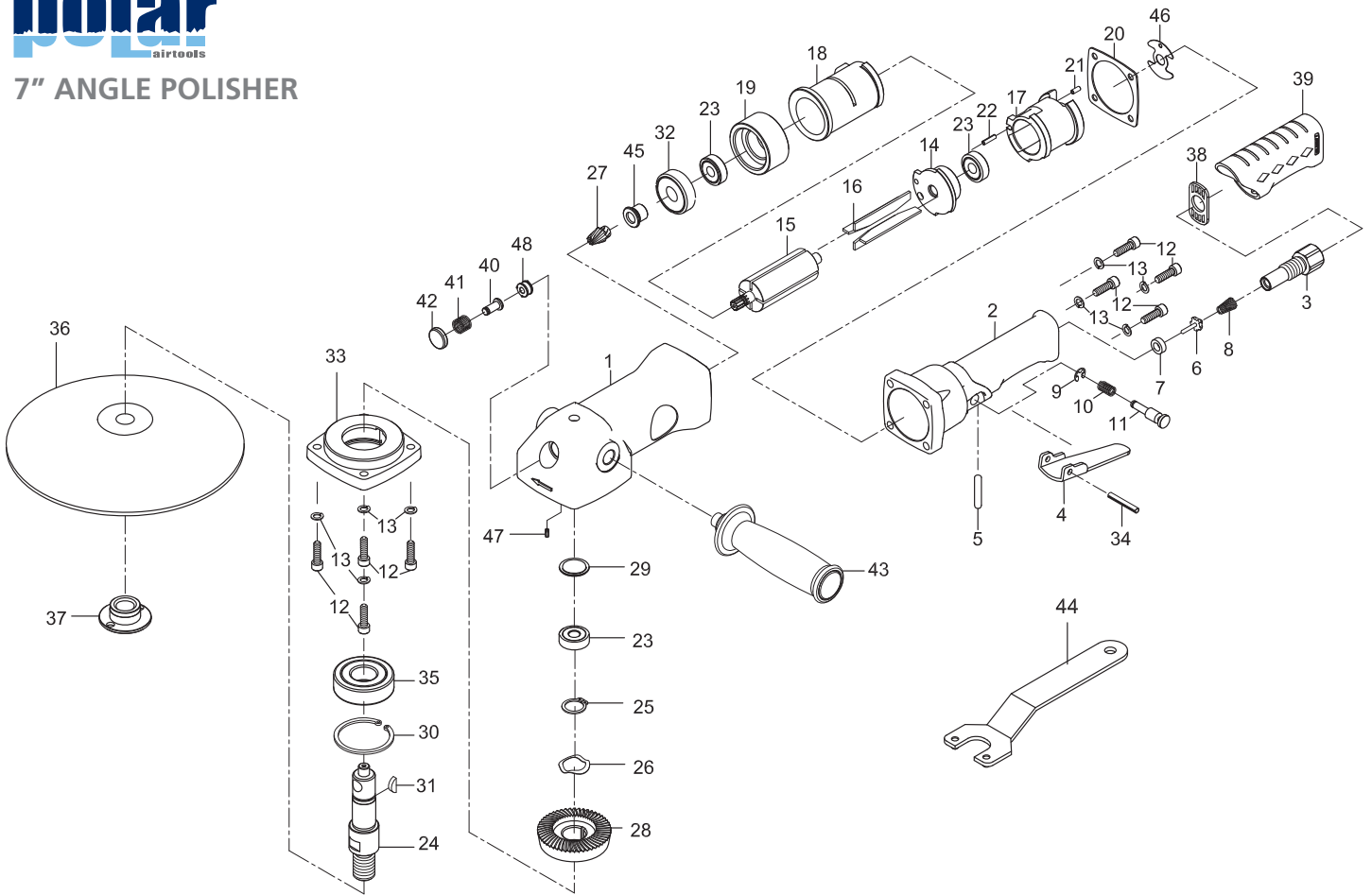




## 7" ANGLE POLISHER



PARTS NO.	DESCRIPTION	PARTS NO.	DESCRIPTION	PARTS NO.	DESCRIPTION
P6127-0175-01	Motor Housing	P6127-0175-18	Cylinder	P6127-0175-35	Ball Bearing (6203ZZ) ○
P6127-0175-02	Valve Housing	P6127-0175-19	Front End Plate	P6127-0175-36	Back Disc (5/8"-11)
P6127-0175-03	Air Inlet	P6127-0175-20	Gasket ●	P6127-0175-37	Disc Nut (5/8"-11)
P6127-0175-04	Throttle Lever	P6127-0175-21	Spring Pin (3 x 6L)	P6127-0175-38	Exhaust Diffuser
P6127-0175-05	Valve Pin	P6127-0175-22	Spring Pin (3 x 12L)	P6127-0175-39	Rubber Grip
P6127-0175-06	Valve	P6127-0175-23	Ball Bearing (3) (608ZZ) ○	P6127-0175-40	Shaft
P6127-0175-07	Valve Seat	P6127-0175-24	Spindle (5/8"-11)	P6127-0175-41	Spring
P6127-0175-08	Spring	P6127-0175-25	Retaining Ring STW-16) ●	P6127-0175-42	Press Button
P6127-0175-09	E-Ring (ETW-4) ●	P6127-0175-26	Spring Washer (WW-16) ●	P6127-0175-43	Handle
P6127-0175-10	Spring ●	P6127-0175-27	Pinion Gear ○	P6127-0175-44	Pin Wrench
P6127-0175-11	Safe Lever	P6127-0175-28	Bevel Gear ○	P6127-0175-45	Bushing
P6127-0175-12	Screw (8) (M5)	P6127-0175-29	Spacer	P6127-0175-46	Motor Gasket
P6127-0175-13	Washer (8)	P6127-0175-30	Retaining Ring (RTW-40)	P6127-0175-47	Set Screw (M4 x 4L)
P6127-0175-14	End Plate	P6127-0175-31	Key (3x13)	P6127-0175-48	Bushing
P6127-0175-15	Rotor	P6127-0175-32	Ball Bearing (6201Z) ○	P6127-0175-50	● Service Kit
P6127-0175-16	Rotor Blade (4) ●	P6127-0175-33	Spindle Cap	P6127-0175-51	○ Rebuilt Kit
P6127-0175-17	Inlet Guide	P6127-0175-34	Spring Pin (4 x 25L)		

### TECHNICAL SPECIFICATION

PRODUCT TYPE 7" Angle Polisher		MODEL: 6127-0175
FREE SPEED: 2.500 RPM	AIR INLET: 1/4" NPT	AVERAGE AIR CONSUMPTION: 91 L/Min (3.2 CFM)
PAD SIZE: 7" (175 mm)	HOSE SIZE: 3/8" (10 mm)	WEIGHT: 1,9 Kg
SPINDLE THREAD: 3/8" - 11 UNF	AIR PRESSURE: 6,2 Bar (90 P.S.I.)	

