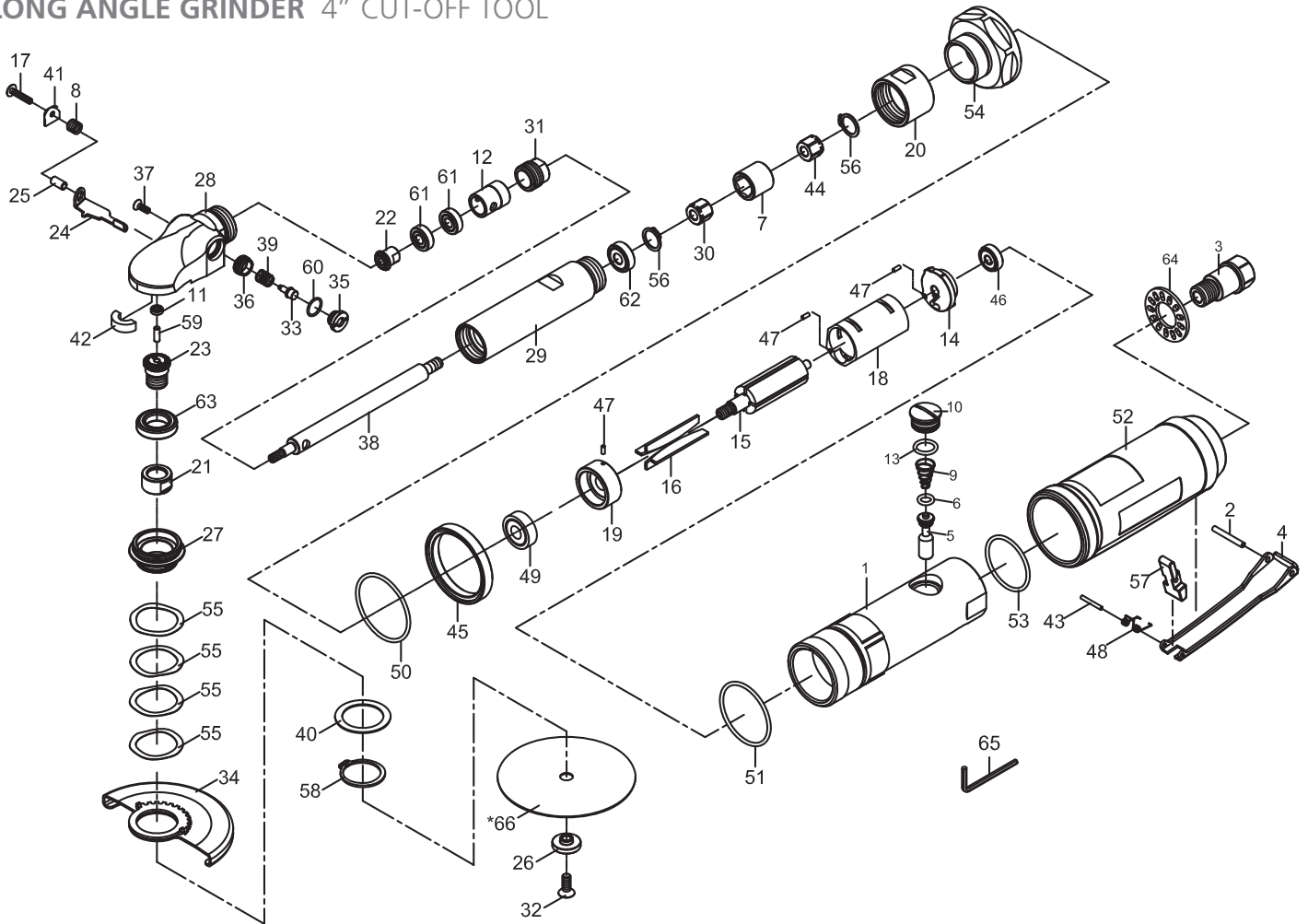




LONG ANGLE GRINDER 4" CUT-OFF TOOL



PARTS NO.	DESCRIPTION	PARTS NO.	DESCRIPTION	PARTS NO.	DESCRIPTION	PARTS NO.	DESCRIPTION
P6125-0100-01	Motor Housing	P6125-0100-19	Front End Plate	P6125-0100-36	Nut	P6125-0100-53	O-Ring (31,5 x 2)
P6125-0100-02	Spring Pin (3 x 24L)	P6125-0100-20	Connector Nut	P6125-0100-37	Screw (M4 x 12L)	P6125-0100-54	Clamp Nut
P6125-0100-03	Air Inlet	P6125-0100-21	Flange	P6125-0100-38	Roller Shaft	P6125-0100-55	Wave Washers (4) (MW-30)
P6125-0100-04	Throttle Lever	P6125-0100-22	Bevel Gear	P6125-0100-39	Spring	P6125-0100-56	Retaining Ring (2) (STW-15)
P6125-0100-05	Valve Shaft	P6125-0100-23	Bevel Gear	P6125-0100-40	Washer	P6125-0100-57	Safety Bar
P6125-0100-06	O-Ring (4,8 x 1,9) ●	P6125-0100-24	Lock Bar	P6125-0100-41	Washer	P6125-0100-58	Retaining Ring (STW-30)
P6125-0100-07	Connector ○	P6125-0100-25	Bushing	P6125-0100-42	Oil Felt ●	P6125-0100-59	Pin (STW-30) ●
P6125-0100-08	Spring	P6125-0100-26	Flange Nut	P6125-0100-43	Spring Pin (Ø2 x 18L)	P6125-0100-60	O-Ring (11,4 x 1,25)
P6125-0100-10	Valve Spring	P6125-0100-27	Lock Nut	P6125-0100-44	Nut ○	P6125-0100-61	Ball Bearing (2) (698ZZ)
P6125-0100-11	Ball Bearing ○	P6125-0100-28	Front Housing	P6125-0100-45	Decoration Ring	P6125-0100-62	Ball Bearing (608ZZ)
P6125-0100-12	Bushing	P6125-0100-29	Connector Pipe	P6125-0100-46	Ball Bearing (626ZZ) ○	P6125-0100-63	Ball Bearing (6903ZZ) ○
P6125-0100-13	O-Ring (11,8 x 2,4) ●	P6125-0100-30	Nut ○	P6125-0100-47	Spring Pin (Ø 2,5 x 6L)	P6125-0100-64	Diffuser
P6125-0100-14	Rear End Plate	P6125-0100-31	Lock Nut	P6125-0100-48	Spring	P6125-0100-65	Hex. Key. Wrench (4 mm)
P6125-0100-15	Rotor	P6125-0100-32	Screw (M6 x 16L)	P6125-0100-49	Ball Bearing (6000ZZ) ○	P6125-0100-66*	Cutting Wheel (4")
P6125-0100-16	Rotor Blade (4) ●	P6125-0100-33	Stop Button	P6125-0100-50	O-Ring (40 x 2)	P6125-0100-70	● Service Kit
P6125-0100-17	Screw (M4 x 20L)	P6125-0100-34	Disc Cover	P6125-0100-51	O-Ring (35,5 x 2)	P6125-0100-71	○ Rebuilt Kit
P6125-0100-18	Cylinder	P6125-0100-35	Button Seat	P6125-0100-52	Grip		* Optional Parts

TECHNICAL SPECIFICATION

PRODUCT TYPE		MODEL: 6125-0100
Long Angle Grinder - 4" Cut-off Tool		
FREE SPEED: 14.000 RPM	HOSE SIZE: 3/8" (10 mm)	WEIGHT: 1,7 Kg
DISC SIZE: 4"(100 mm)	AIR PRESSURE: 6,2 Bar (90 P.S.I.)	
AIR INLET: 1/4" NPT	AVERAGE AIR CONSUMPTION: 113 L/Min (4 CFM)	

