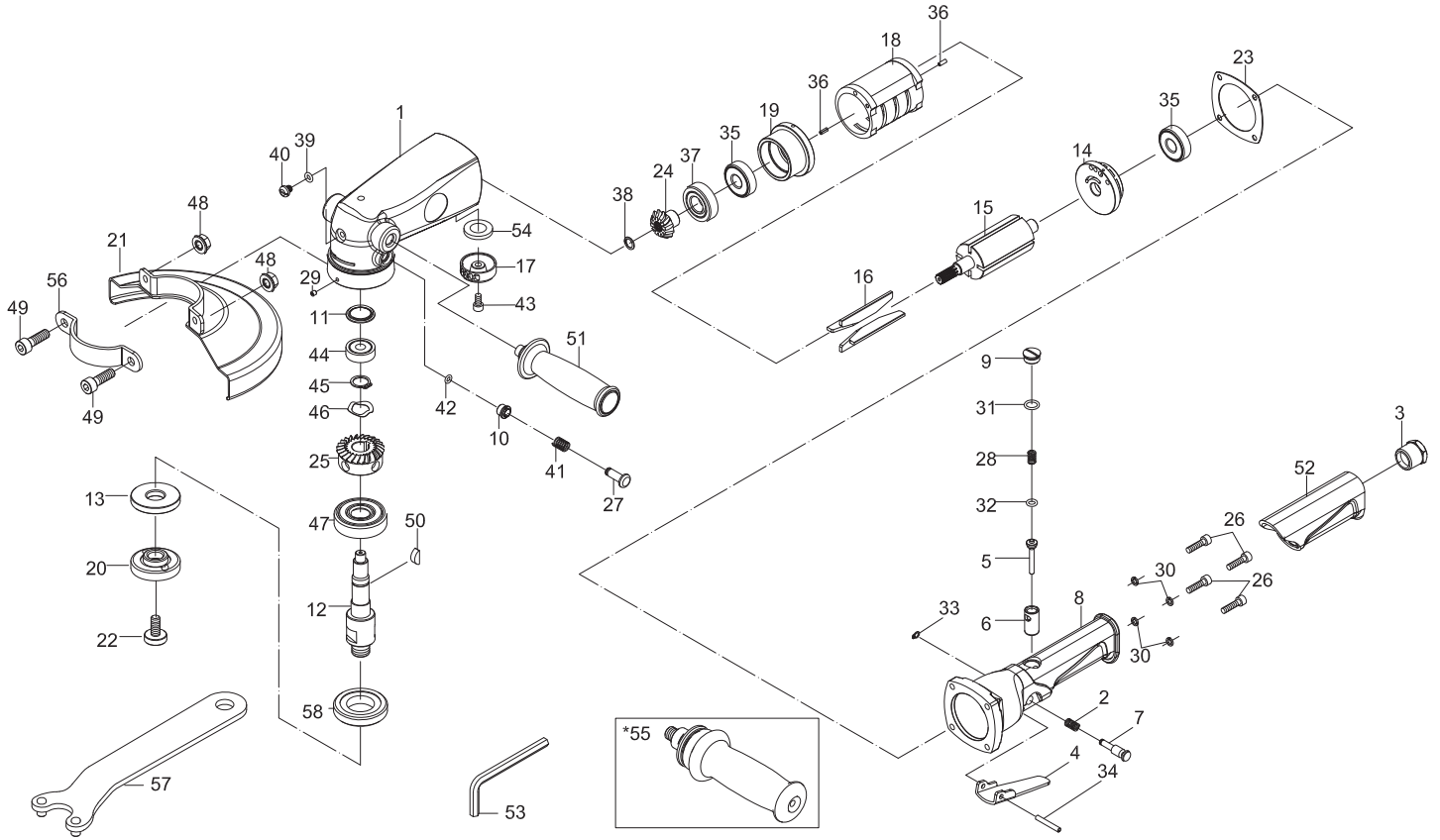


# 6120-0175 SPAREPARTS



## 7" ANGLE GRINDER



PARTS NO.	DESCRIPTION	PARTS NO.	DESCRIPTION	PARTS NO.	DESCRIPTION	PARTS NO.	DESCRIPTION
P6120-0175-01	Motor Housing	P6120-0175-17	Exhaust Deflector	P6120-0175-32	O-Ring (6 x 2) ●	P6120-0175-47	Ball Bearing (6303Z) ○
P6120-0175-02	Spring Pin ●	P6120-0175-18	Cylinder	P6120-0175-33	E-Ring (ETW-4)	P6120-0175-48	Nut (2) (M8)
P6120-0175-03	Air Inlet	P6120-0175-19	Front End Plate	P6120-0175-34	Spring Pin (4 x 25L)	P6120-0175-49	Screw (2) (M8 x 25L)
P6120-0175-04	Lever	P6120-0175-20	Flange Nut (M14 x 2)	P6120-0175-35	Ball Bearing (2) (6201Z)	P6120-0175-50	Key ○
P6120-0175-05	Valve Pin	P6120-0175-21	Disc Cover	P6120-0175-36	Spring Pin (2) (3 x 8L)	P6120-0175-51	Handle
P6120-0175-06	Valve Bushing	P6120-0175-22	Screw	P6120-0175-37	Ball Bearing (6202ZZ) ○	P6120-0175-52	Rubber Grip
P6120-0175-07	Safe Lever	P6120-0175-23	Gasket ●	P6120-0175-38	Retaining Ring ●	P6120-0175-53	Hex. Key Wrench (6 mm)
P6120-0175-08	Governor Case	P6120-0175-24	Pinion Gear ○	P6120-0175-39	O-Ring (4,9 x 2,2)	P6120-0175-54	Damping Material
P6120-0175-10	Valve Screw	P6120-0175-25	Bevel Gear ○	P6120-0175-40	Screw (M6 x 1,0P)	P6120-0175-55*	Vibration Reduced Handle
P6120-0175-11	Spacer	P6120-0175-26	Screw (4) (M5 x 20L)	P6120-0175-41	Spring	P6120-0175-56	Retainer
P6120-0175-12	Gear Shaft (M14 x 2) ○	P6120-0175-27	Shaft	P6120-0175-42	O-Ring (4,47 x 1,78)	P6120-0175-57	Pin Wrench
P6120-0175-13	Flange	P6120-0175-28	Spring ●	P6120-0175-43	Screw (M5 x 10L)	P6120-0175-58	Lock Nut
P6120-0175-14	End Plate	P6120-0175-29	Screw (M4 x 0,7P)	P6120-0175-44	Ball Bearing (629ZZ)	P6120-0175-60	● Service Kit
P6120-0175-15	Rotor	P6120-0175-30	Spring Washer (4) (M5)	P6120-0175-45	Retaining Ring (STW-15)	P6120-0175-61	○ Rebuilt Kit
P6120-0175-16	Rotor Blade (4) ●	P6120-0175-31	O-Ring (9,8 x 1,9) ●	P6120-0175-46	Spring Washer (WW-15,5)		* Optional Parts

### TECHNICAL SPECIFICATION

PRODUCT TYPE 7" Angle Grinder		MODEL: 6120-0175
FREE SPEED: 8.500 RPM	AIR INLET: 3/8" NPT	AVERAGE AIR CONSUMPTION: 113 L/Min (4 CFM)
DISC SIZE: 7" (175 mm)	HOSE SIZE: 3/8" (10 mm)	WEIGHT: 3,3 Kg
SPINDLE SIZE: M14 x 2,0	AIR PRESSURE: 6,2 Bar (90 P.S.I.)	

