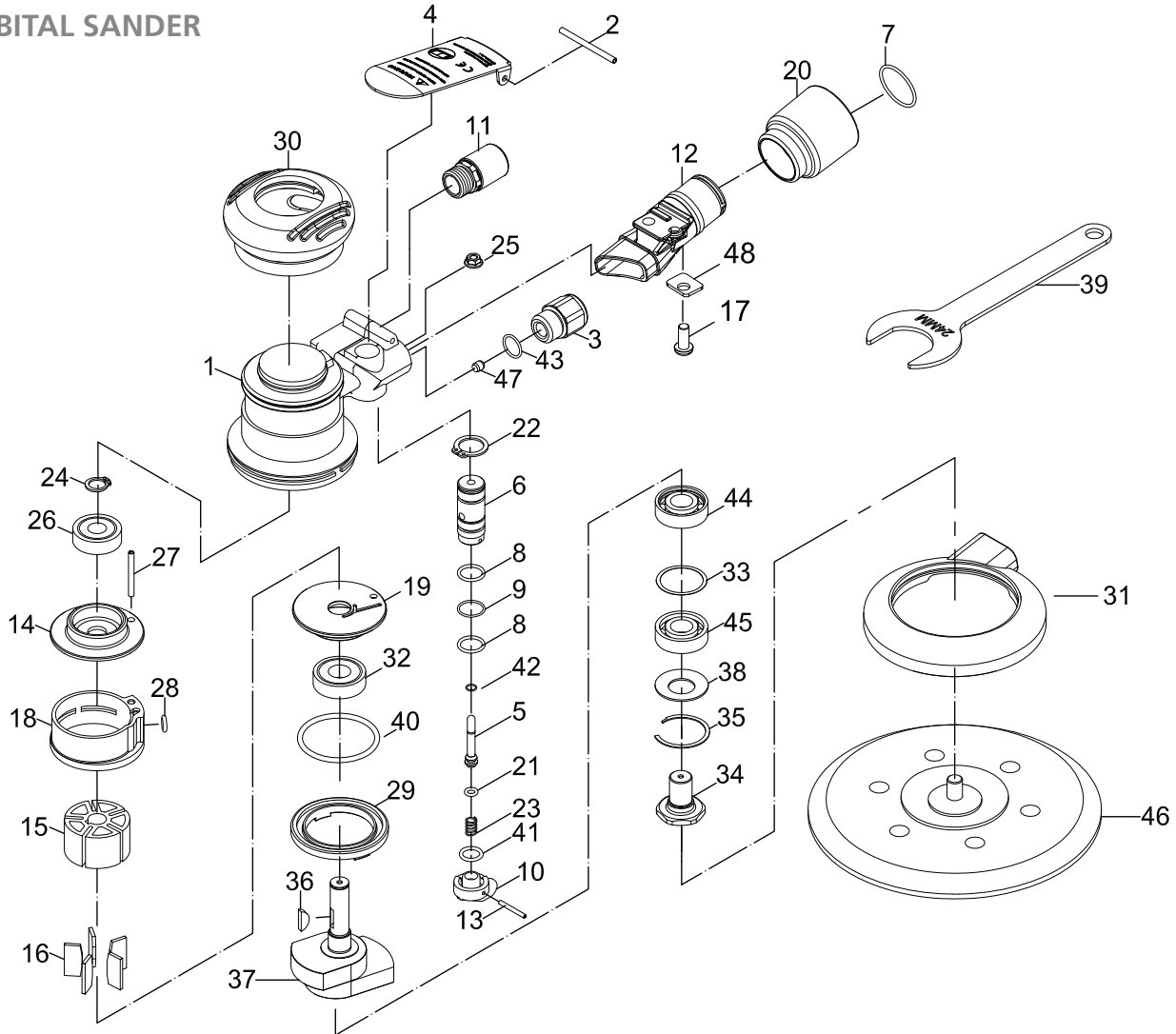




6" ORBITAL SANDER



PARTS NO. DESCRIPTION

P6115-0150-01	Housing	P6115-0150-14	Rear End Plate	P6115-0150-27	Spring Pin (3 x 28)	P6115-0150-40	O-Ring (39,4 x 3,1) ●
P6115-0150-02	Spring Pin (3 x 40L)	P6115-0150-15	Rotor	P6115-0150-28	O-Ring (5 x 2)	P6115-0150-41	O-Ring (8,8 x 1,7) ●
P6115-0150-03	Air Inlet	P6115-0150-16	Rotor Blade (5) ●	P6115-0150-29	Lock Ring	P6115-0150-42	O.Ring (2 x 1) ●
P6115-0150-04	Throttle Lever	P6115-0150-17	Screw (M5 x 10)	P6115-0150-30	Grip Hat	P6115-0150-43	O-Ring (13,5 x 1,5) ●
P6115-0150-05	Shaft	P6115-0150-18	Cylinder	P6115-0150-31	Shroud	P6115-0150-44	Ball Bearing (6001) ○
P6115-0150-06	Bushing	P6115-0150-19	Front End Plate	P6115-0150-32	Ball Bearing (6001ZZ) ○	P6115-0150-45	Ball Bearing (6001P) ○
P6115-0150-07	O-Ring (21,5 x 1,5) ●	P6115-0150-20	Swivel Exhaust	P6115-0150-33	Washer	P6115-0150-46*	Pad (6")
P6115-0150-08	O-Ring (10,7 x 1,5) ●	P6115-0150-21	O-Ring (3,68 x 1,78) ●	P6115-0150-34	Shaft	P6115-0150-47	Stopper
P6115-0150-09	O-Ring (10,5 x 1) ●	P6115-0150-22	Retaining Ring (STW-14) ●	P6115-0150-35	Snap Ring	P6115-0150-48	Washer
P6115-0150-10	Regulator	P6115-0150-23	Spring	P6115-0150-36	Key	P6115-0150-50	● Service Kit
P6115-0150-11	Silencer	P6115-0150-24	Retainer Ring	P6115-0150-37	Balancer Shaft ○	P6115-0150-51	○ Rebuilt Kit
P6115-0150-12	Adapter	P6115-0150-25	Nut (M5 x 0,8)	P6115-0150-38	Washer (3 x 13)		* Optional Parts
P6115-0150-13	Spring Pin (2 x 18L)	P6115-0150-26	Ball Bearing (6000ZZ) ○	P6115-0150-39	Spanner		

TECHNICAL SPECIFICATION

PRODUCT TYPE Orbital Sander		MODEL: 6115-0150
FREE SPEED 12.000 RPM	AIR INLET: 1/4" NPT	AVERAGE AIR CONSUMPTION: 57 L/Min (2 CFM)
PAD SIZE: 6" (150 mm)	HOSE SIZE: 3/8" (10 mm)	WEIGHT: 0,7 Kg
ORBIT DIAMETER: 5 mm	AIR PRESSURE: 6,2 Bar (90 P.S.I.)	

