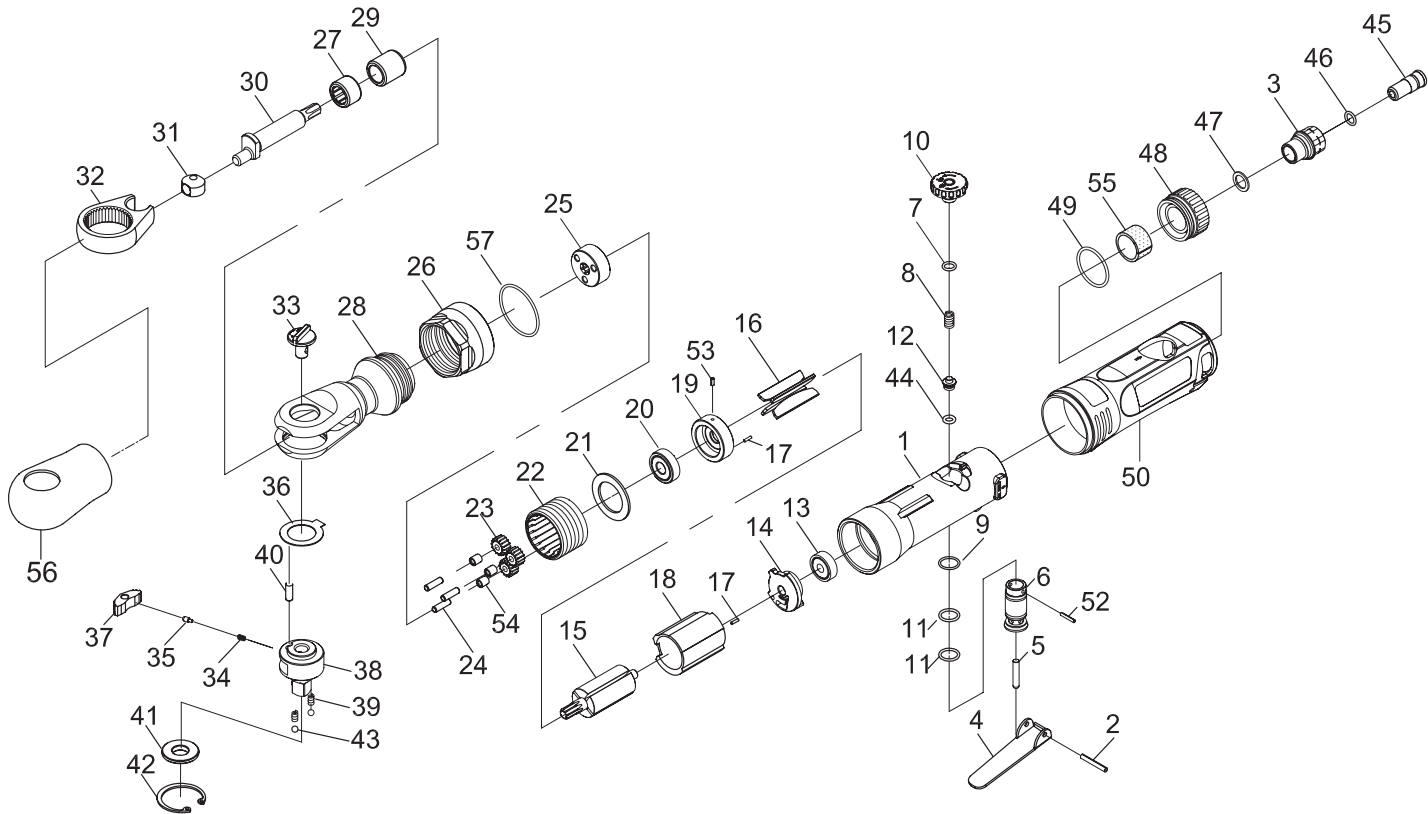




1/2" AIR RATCHET



PARTS NO.	DESCRIPTION	PARTS NO.	DESCRIPTION	PARTS NO.	DESCRIPTION
P6105-0038-01	Housing	P6105-0038-21	Washer	P6105-0012-41	Thrust Washer •
P6105-0038-02	Spring Pin (∅3 x 20L)	P6105-0038-22	Thread Ring Gear	P6105-0038-42	Retainer Ring (RTW-31,5)
P6105-0038-03	Air Inlet	P6105-0038-23	Idler Gear (3) ○	P6105-0038-43	Steel Ball (2) (5/32") •
P6105-0038-04	Throttle Lever	P6105-0038-24	Idler Gear Pin (3) (∅4 x 13,8L)	P6105-0038-44	O-Ring (3,8 x 1,9) •
P6105-0038-05	Throttle Valve	P6105-0038-25	Idler Gear Plate	P6105-0038-45	Fixed Shaft
P6105-0038-06	Bushing	P6105-0038-26	Clamp Nut	P6105-0038-46	O-Ring (7,5 x 1,5)
P6105-0038-07	O-Ring (6,5 x 1,5) •	P6105-0038-27	Needle Bearing	P6105-0038-47	Washer
P6105-0038-08	Spring •	P6105-0038-28	Ratchet Housing	P6105-0038-48	Deflector
P6105-0038-09	O-Ring (11,4 x 1,25) •	P6105-0038-29	Bushing	P6105-0038-49	O-Ring (26,7 x 1,78) •
P6105-0038-10	Knob	P6105-0038-30	Crank Shaft	P6105-0038-50	Grip
P6105-0038-11	O-Ring (2) (10,7 x 1,5) •	P6105-0038-31	Drive Bushing ○	P6105-0038-52	Spring Pin (2 x 12L)
P6105-0038-12	Throttle Valve	P6105-0038-32	Yoke	P6105-0038-53	Spring Pin (2 x 5L)
P6105-0038-13	Ball Bearing (696ZZ)	P6105-0038-33	Reverse Button	P6105-0038-54	Bushing (3)
P6105-0038-14	Rear End Plate	P6105-0038-34	Spring ○	P6105-0038-55	Damping Material
P6105-0038-15	Rotor	P6105-0038-35	Lock Pin ○	P6105-0038-56	Rubber hat
P6105-0038-16	Rotor Blade (4) •	P6105-0038-36	Washer ○	P6105-0038-57	O-Ring (29,4 x 3,1) •
P6105-0038-17	Pin (2) - (∅ 1,5 x 6L)	P6105-0038-37	Ratchet Pawl ○	P6105-0012-60	• Service Kit
P6105-0038-18	Cylinder	P6105-0012-38	Ratchet Anvil 1/2"	P6105-0038-61	○ Rebuilt Kit
P6105-0038-19	Front End Plate •	P6105-0038-39	Spring (2)		
P6105-0038-20	Ball Bearing (608ZZ)	P6105-0038-40	Pin (∅4,5 x 12,7L)		

TECHNICAL SPECIFICATION

PRODUCT TYPE 1/2" professional ratchet		MODEL: 6105-0012
SQUARE DRIVE: 1/2"	WORKING TORQUE RANGE: 14-68 Nm (10-50 ft-lbs)	AIR PRESSURE: 6,2 Bar (90 P.S.I.)
FREE SPEED: 150 RPM	AIR INLET: 1/4" NPT	AVERAGE AIR CONSUMPTION: 113 L/Min (4 CFM)
MAX. TORQUE: 68 Nm (50 ft-lbs)	HOSE SIZE: 3/8" (10 mm)	WEIGHT: 1,2 Kg

