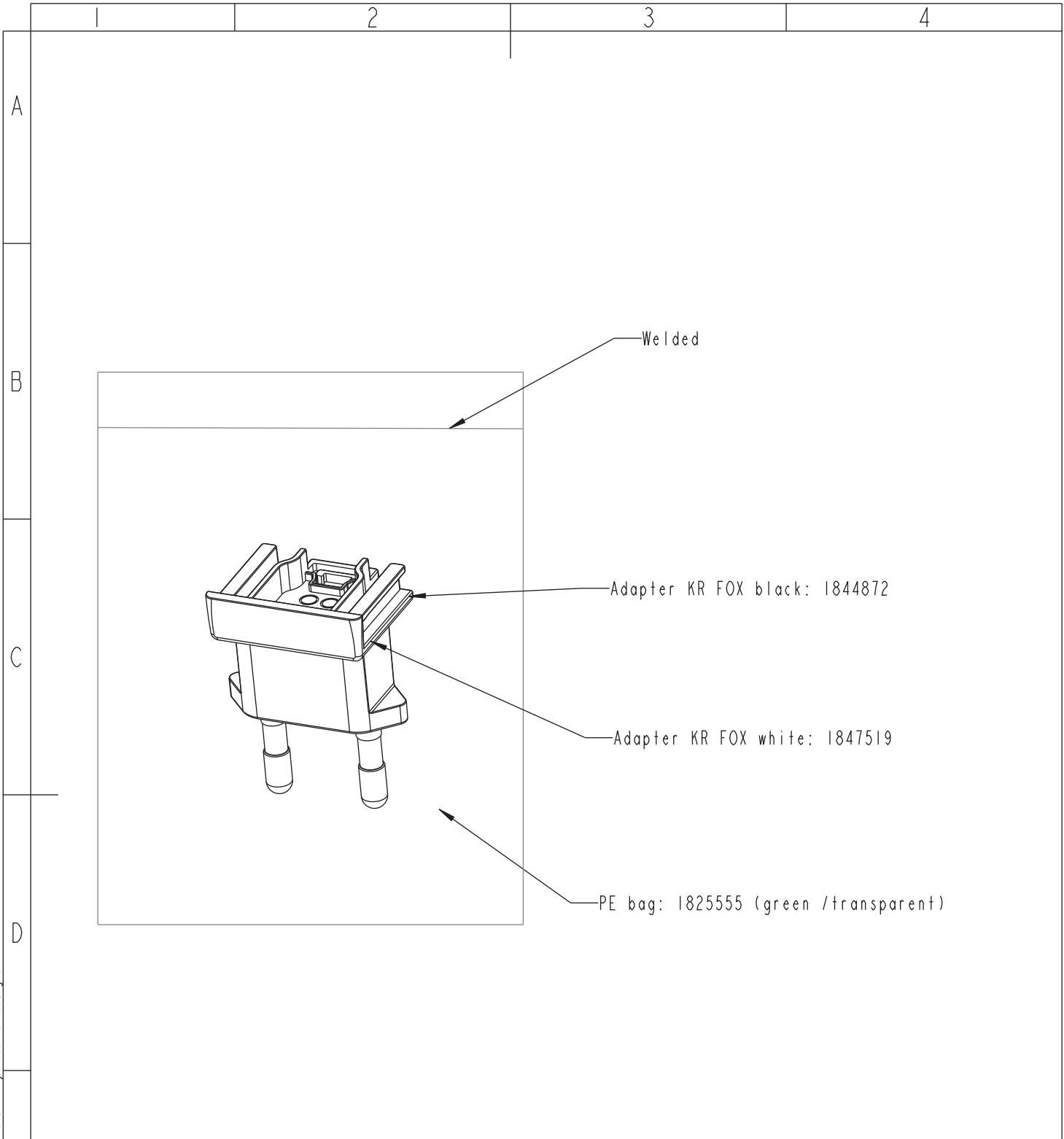
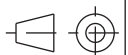


Copying of this document, and giving it to others and the use or communication of the contents thereof, are forbidden without express authority. Offenders are liable to the payment of damages. All rights are reserved in the event of the grant of a patent or the registration of a utility model or design.



| 1847542     | White | Adapter KR FOX packed 15.4369.501-234 |
|-------------|-------|---------------------------------------|
| 1847545     | Black | Adapter KR FOX packed 15.4369.501-177 |
| Part number | Color | Description                           |



|             |                    |                          |             |                      |  |                                |  |                       |  |
|-------------|--------------------|--------------------------|-------------|----------------------|--|--------------------------------|--|-----------------------|--|
|             |                    | <i>General Tolerance</i> |             | <i>Scale</i>         |  | <i>Filename: 154369_501_XX</i> |  | <i>Part No.:</i>      |  |
|             |                    |                          |             | 1:1                  |  | <i>(Material)</i>              |  |                       |  |
|             |                    | 2015                     |             | <i>Date</i>          |  | <i>Name</i>                    |  | <i>(Description)</i>  |  |
|             |                    | Author                   |             | 2015.10.08           |  | Stone                          |  | Adapter KR FOX packed |  |
|             |                    | Appr.                    |             |                      |  |                                |  |                       |  |
|             |                    |                          |             |                      |  |                                |  |                       |  |
|             |                    |                          |             | <i>Archiving No.</i> |  | <i>(Drawing No.)</i>           |  | <i>Sheet</i>          |  |
|             |                    |                          |             |                      |  | 15.4369.501-XX                 |  | I                     |  |
|             |                    |                          |             |                      |  |                                |  | I Bl.                 |  |
| <i>Ver.</i> | <i>Change Note</i> | <i>Date</i>              | <i>Name</i> |                      |  | <i>sub. for:</i>               |  |                       |  |

