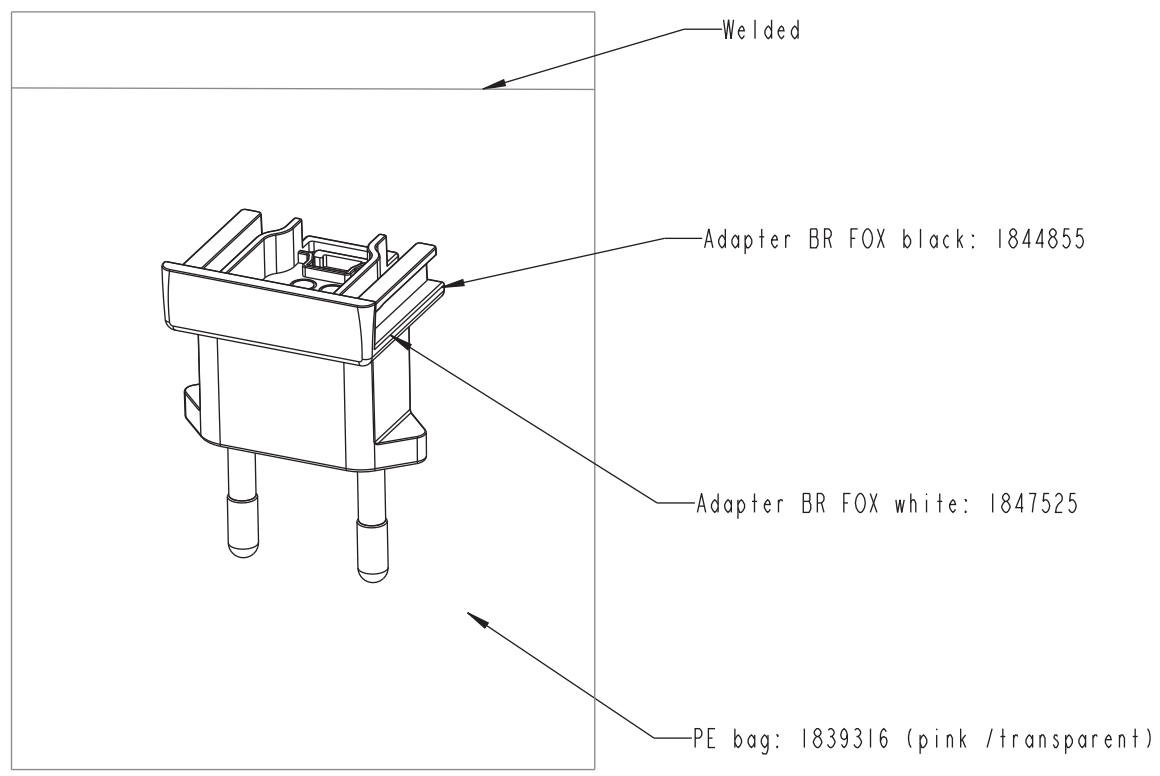


A

B

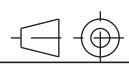
C

D



Copying of this document, and giving it to others and the use or communication of the contents thereof, are forbidden without express authority. Offenders are liable to the payment of damages. All rights are reserved in the event of the grant of a patent or the registration of a utility model or design.

1847536	White	Adapter BR FOX packed 15.4368.501-234
1847551	Black	Adapter BR FOX packed 15.4368.501-177
Part number	Color	Description



		<i>General Tolerance</i>		<i>Scale</i>		<i>Filename: 154368_501_XX</i>		<i>Part No.:</i>	
				1:1		<i>(Material)</i>			
		2015		<i>Date</i>		<i>Name</i>		<i>(Description)</i>	
		Author		2015.10.08		Stone		Adapter BR FOX packed	
		Appr.							
				<i>Archiving No.</i>		<i>(Drawing No.)</i>		<i>Sheet</i>	
						15.4368.501-XX		1	
								1 Bl.	
<i>Ver.</i>	<i>Change Note</i>	<i>Date</i>	<i>Name</i>			<i>sub. for:</i>			

