

A

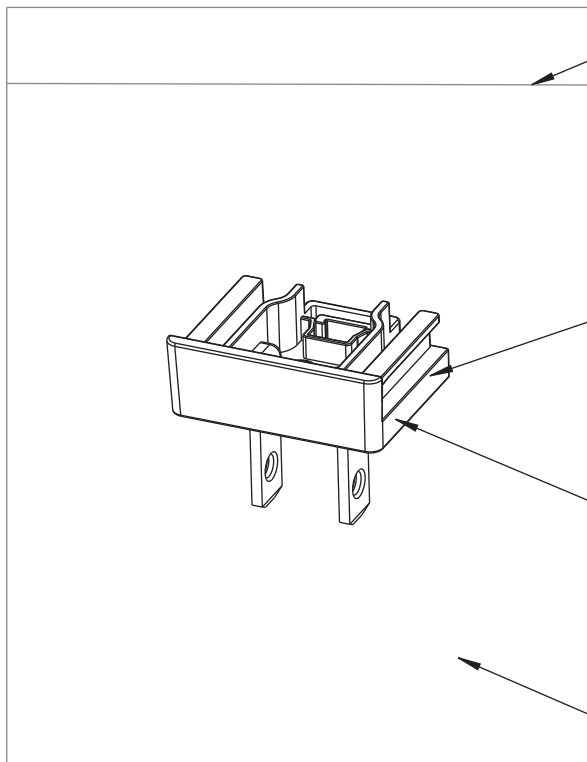
B

C

D

E

F



Welded

Adapter US FOX black: 1844852

Adapter US FOX white: 1847528

PE bag: 1824260 (blue / transparent)

1847533	White	Adapter US FOX packed 15.4362.501-234
---------	-------	---------------------------------------

1847554	Black	Adapter US FOX packed 15.4362.501-177
---------	-------	---------------------------------------

Part number	Color	Description
-------------	-------	-------------



General Tolerance

Scale

Filename: 154362\_501\_XX

Part No.:

(Material)

1:1

2015	Date	Name
Author	2015.10.08	Stone
Appr.		

(Description)

Adapter US FOX packed

Archiving No.

(Drawing No.)

**FRIWO**®

15.4362.501-XX

Sheet

1

1 Bl.

Ver.	Change Note	Date	Name
------	-------------	------	------

sub. for: