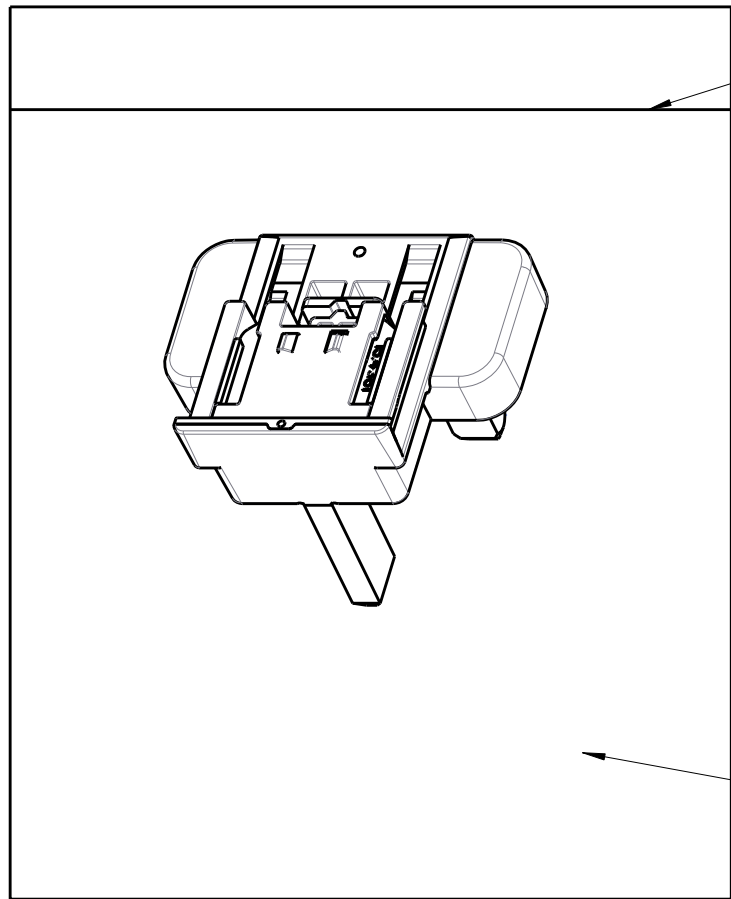


Copying of this document, and giving it to others and the use or communication of the contents thereof, are forbidden without express authority. Offenders are liable to the payment of damages. All rights are reserved in the event of the grant of a patent or the registration of a utility model or design.



Welded

UK adaptor assembled black:1847579

UK adaptor assembled white:1847578

PE bag :1847629 (yellow)

Part number	Color	Description
1847605	White	Adapter assembled UK packed FOX 15.4361.831-234
1847606	Black	Adapter assembled UK packed FOX 15.4361.831-177

		General Tolerance	Scale	Filename: 154361.831.00	
			1:1	Tool No.:	
				Tool designed for:	
2016	Date	Name	(Description)		
Author	2016.08.05	weihua	UK Adaptor IPX2 Ass Instruction		
Appr.					
		Archiving No.			
		FRIWO		(Drawing No.)	
				15.4361.831-XX	
Ver.	Change Note	Date	Name	sub. for:	
				Sheet	
				2	
				2 Bl.	