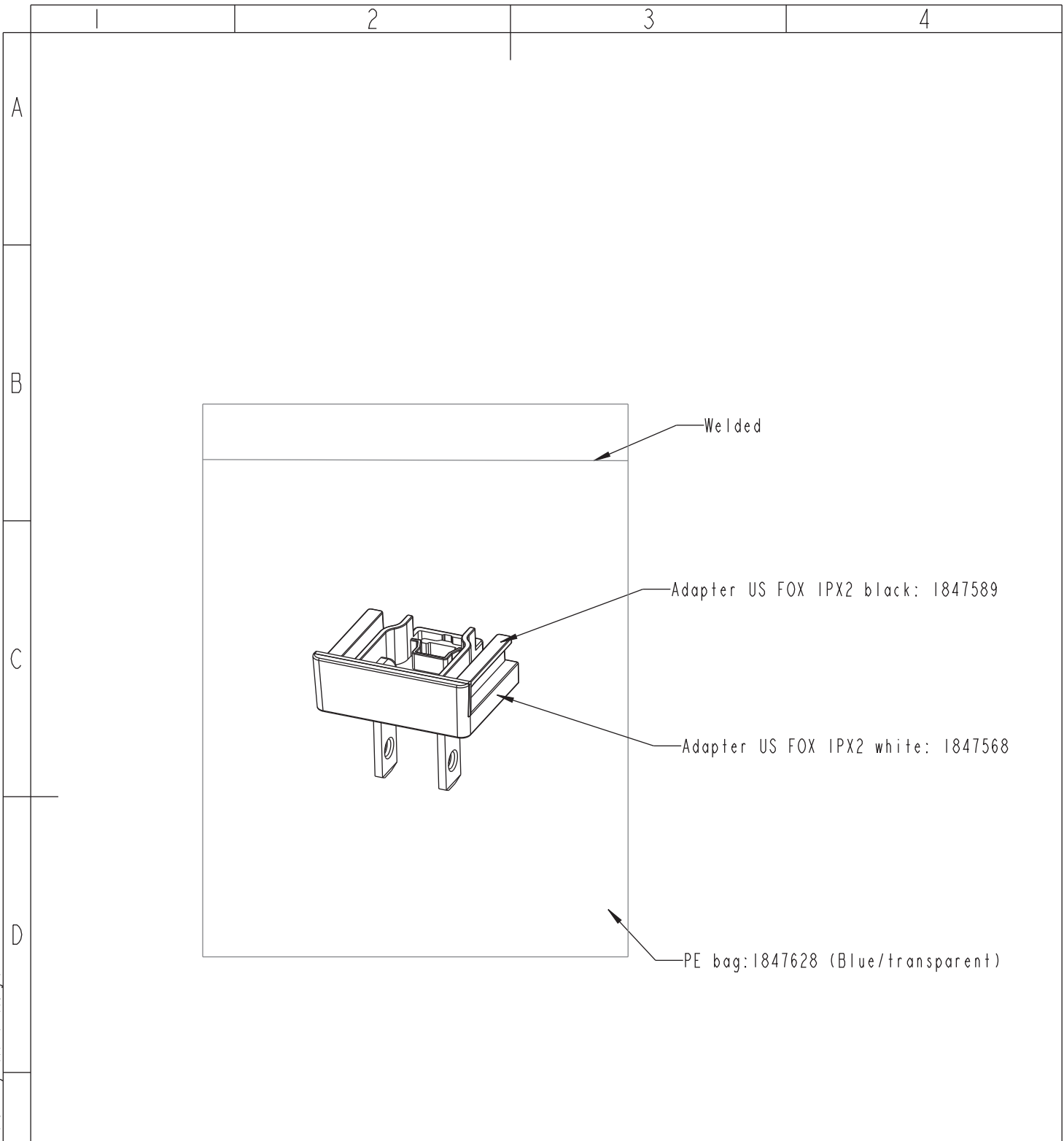
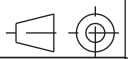


Copying of this document, and giving it to others and the use or communication of the contents thereof, are forbidden without express authority. Offenders are liable to the payment of damages. All rights are reserved in the event of the grant of a patent or the registration of a utility model or design.



1847603	White	Adapter US FOX packed IPX2 15.4362.531-234
1847604	Black	Adapter US FOX packed IPX2 15.4362.531-177
Part number	Color	Description



		<i>General Tolerance</i>		<i>Scale</i>	<i>Filename: 154362_531_XX</i>	<i>Part No.:</i>
				1:1	<i>(Material)</i>	
		2016	<i>Date</i>	<i>Name</i>	Adapter US FOX IPX2 packed	
		<i>Author</i>	2016.07.13	Stone		
		<i>Appr.</i>				
		<i>Archiving No.</i>			Adapter US FOX IPX2 packed	
				FRIWO ®	<i>(Drawing No.)</i>	<i>Sheet</i>
					15.4362.531-XX	1
						1 Bl.
<i>Ver.</i>	<i>Change Note</i>	<i>Date</i>	<i>Name</i>	<i>sub. for:</i>		