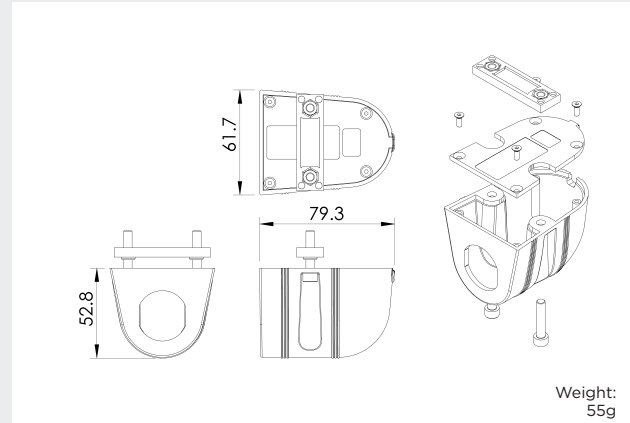


PVPro, PV65R & PVPWp INSTALLATION ACCESSORIES

USB-POD

FOR UNDERSEAT INSTALLATIONS

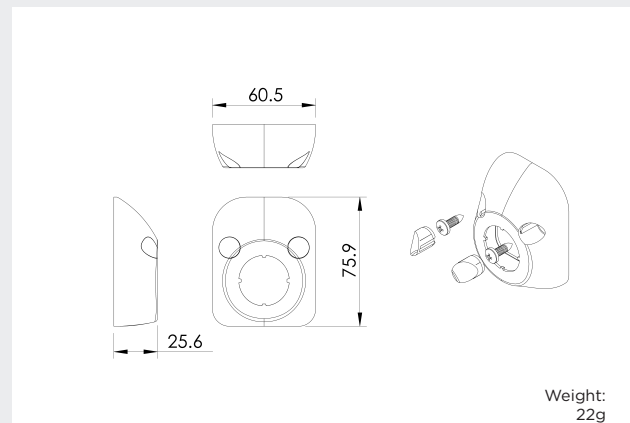
Rugged mounting pod for PVPro USB installation under seats, accessible from the front or rear. It can house PVPro, PV65R and PVPWp USB chargers and is also available as a complete assembly together with 1.2m of fused wiring.



USB-WPOD

FOR ON WALL INSTALLATIONS

Wall-mounted housing to allow the standard PVPro & PVPWp range to be installed on the wall of the vehicle without the need of a 30mm drilled hole. It is fixed to the wall with screws hidden by tamper-proof overs and space is provided for a fuse to protect the wiring (recommended).



USB-TPOD

FOR TABLE TOP INSTALLATIONS

Designed to house two PVPro, PV65R or PVPWp USB chargers. It comes complete with fused internal wiring to allow for a single input source from the vehicle wiring. Using this system up to four USB outlets (2 x double units) can be made available for charging at tables.

